

SPECIFICATION SHEET

Bholanath

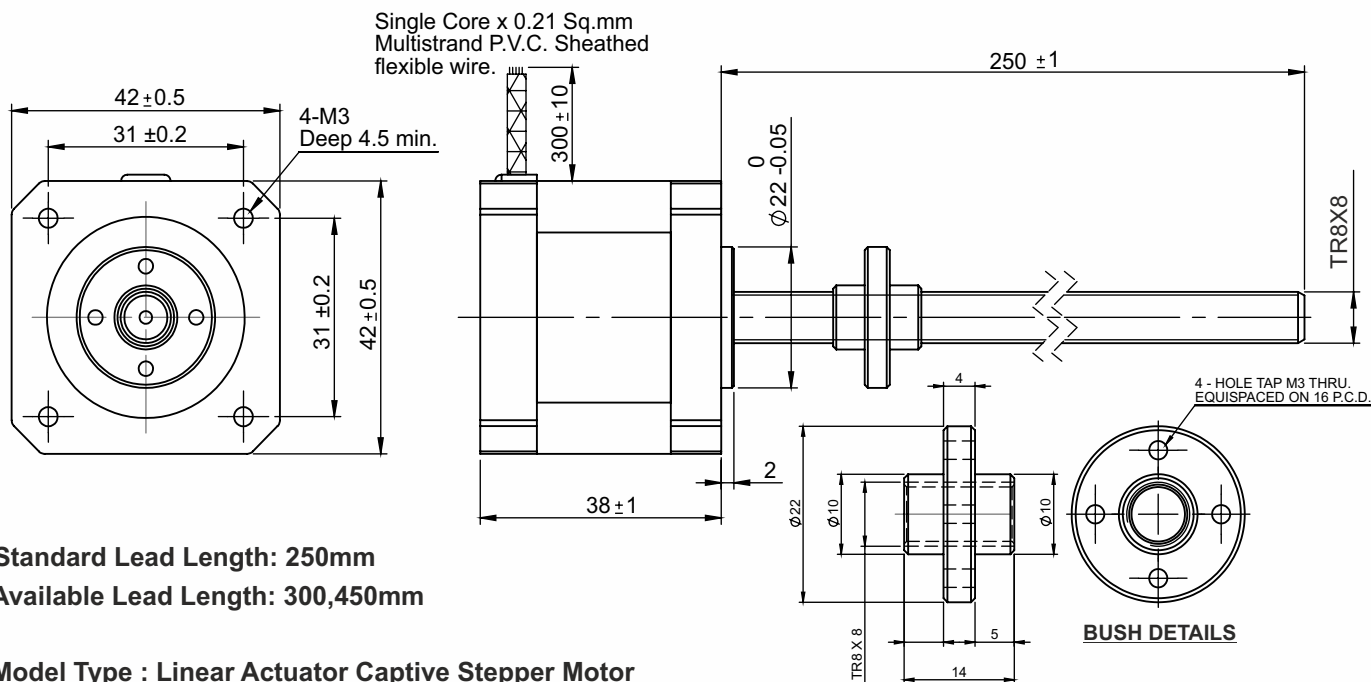
STEPPER MOTOR

BH 42 SH 38 - 1684 LA(250/300/450)

(TR8 X 8)

HIGH TORQUE HYBRID

Bholanath™
COMMITTED TO PRECISION

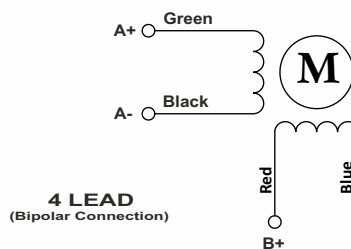


TECHNICAL DATA

CHARACTERISTICS

Step Angle - 1.8°
Step Angle Accuracy - ± 3 Arc Minute
Insulation Class - H
Ambient Temperature - (-20°C to +50°C)
Temperature Rise - 80°C Max. (Rated Current Phase 2 ON)
Insulation Resistance 100 M Ohms Min.500 VDC
Dielectric Strength 500 VAC For One Minute
Shaft Radial Play 0.02 Max. Play (450 G Load)
Shaft Axial Play 0.08 Max. Play (450 G Load)
Max.Radial Force 28 N (20MM From Front Flange)

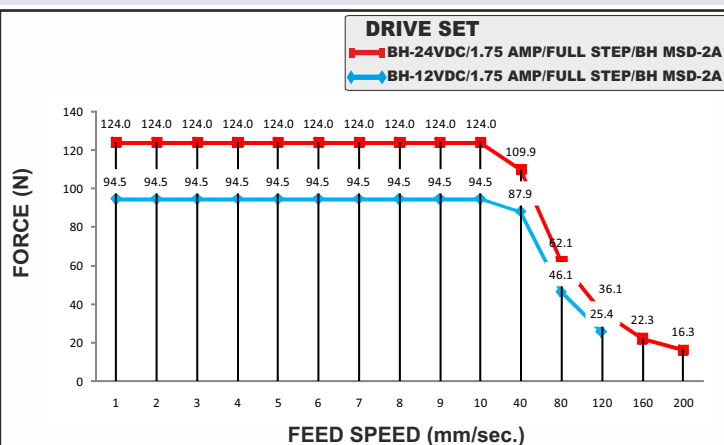
Wiring Diagram



SPECIFICATION

BH 42 SH 38 - 1684 LA (250/300/450)
(TR8X8)

	MODEL		Bipolar
1	Rated Voltage	V	3.53
2	Current / Phase	A	1.68
3	Resistance / Phase	± 10% Ω	2.1
4	Inductance / Phase	± 20% mH	1.80
5	Holding Torque	Nm	0.36
6	Rotor Inertia	G-CM ²	66.6
7	Weight	KG.	0.38
8	No of Lead	N ⁰	4
9	Operating Voltage	VDC	12 - 24
10	Linear Step size - 40 micron per full step		



Bholanath™

COMMITTED TO PRECISION

BHOLANATH COOL STEPPERS™

Bholanath Precision Engineering Pvt.Ltd.

11,Kembros Ind.Estate , Sonapur Lane , Bhandup (W),Mumbai - 400078.

Telefax/Phone : 25662856/25664338/67993260 Email : support@bholanath.in

Mobile No : 9920903825/9821671733/9930514603/9819515543/9323166582.