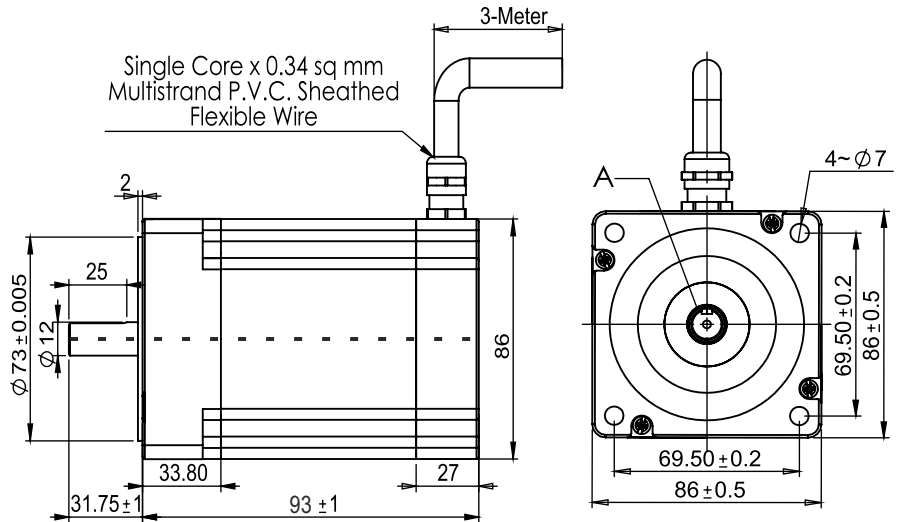
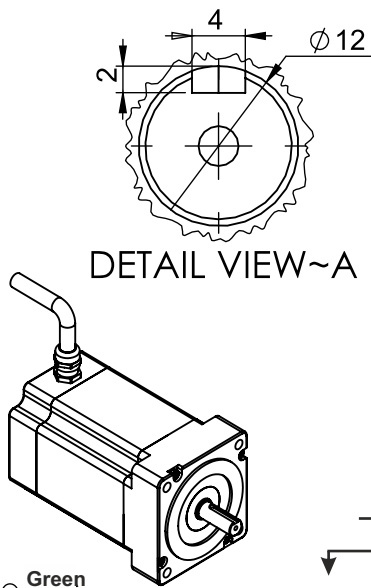


**SPECIFICATION SHEET**  
**Bholanath**

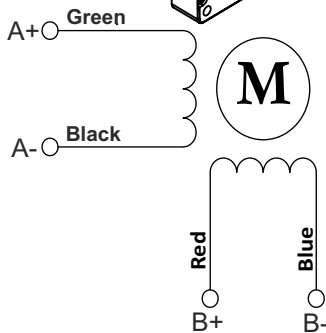
**STEPPER MOTOR**  
**BH86 SH 93 - 4104AKS-IP68**  
**HIGH TORQUE HYBRID**



**IP 68 PROTECTION AGAINST CONTACT AND INFILTRATION OF DIRT AND WATER (UP TO 2MTR FOR 2 HOURS)**



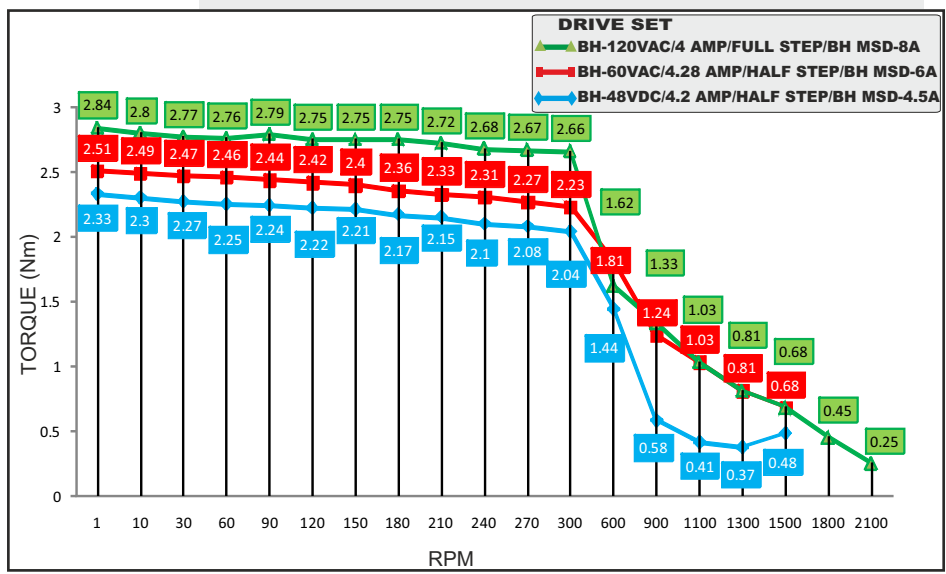
**TECHNICAL DATA**



**Wiring Diagram**

SPECIFICATION BH86SH93 - 4104 AKS-IP68		
	MODEL	Bipolar
1	Rated Voltage	V
2	Current / Phase	A
3	Resistance / Phase	$\pm 10\% \Omega$
4	Inductance / Phase	$\pm 20\% \text{mH}$
5	Holding Torque	Nm
6	Rotor Inertia	G-CM <sup>2</sup>
7	Weight	KG.
8	No of Lead	N <sup>o</sup>
9	Operating Voltage	VDC
10	Operating Voltage	VAC

CHARACTERISTICS
Step Angle - 1.8°
Step Angle Accuracy - $\pm 3$ Arc Minute
Insulation Class - H
Ambient Temperature - -20°C + 50°C
Temperature Rise - 80°C Max. ( Rated Current Phase 2 ON )
Insulation Resistance 100 M Ohms Min.500 VDC
Dielectric Strength 820 VAC For One Minute
Shaft Radial Play 0.02 Max. Play ( 450 G Load )
Shaft Axial Play 0.08 Max. Play ( 450 G Load )
Max.Radial Force 220 N ( 20MM From Front Flange )
Max.Axial Force 60 N



STEPPER MOTOR - BH86SH93-4104A-IP68



**Bholanath Precision Engineering Pvt.Ltd.**

11,Kembros Ind.Estate , Sonapur Lane , Bhandup (W),Mumbai - 400078.  
Telefax/Phone : 25662856/25664338/67993260 Email : support@bholanath.in  
Mobile No : 9920903825/9821671733/9930514603/9819515543/9323166582.