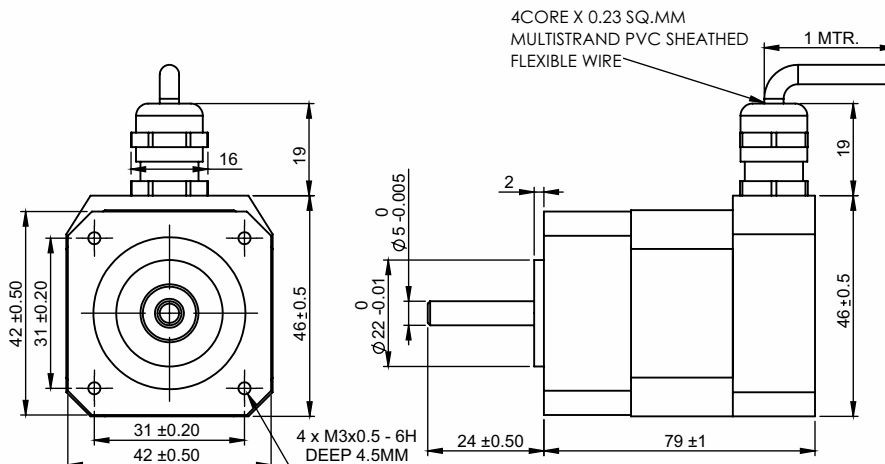
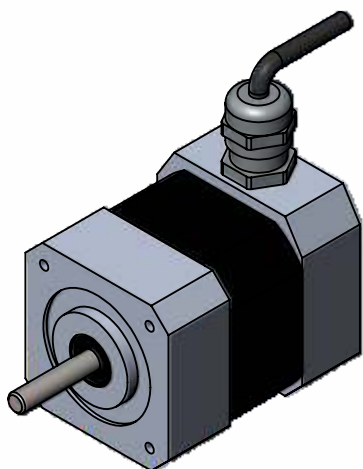


SPECIFICATION SHEET
Bholanath

STEPPER MOTOR
BH42 SH 79-0854 A - IP 68
HIGH TORQUE HYBRID



IP 68 PROTECTION AGAINST CONTACT AND INFILTRATION OF DIRT AND WATER (UP TO 2MTR FOR 2 HOURS)



TECHNICAL DATA

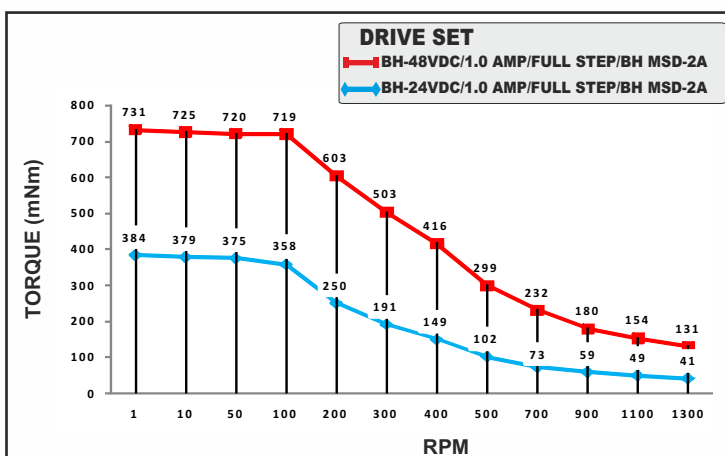
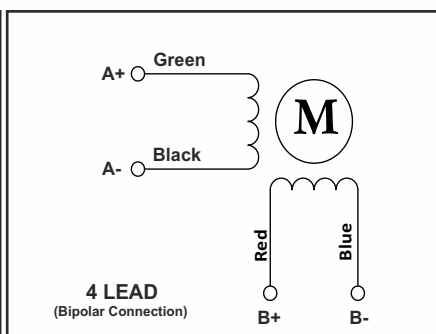
CHARACTERISTICS

Step Angle - 1.8°
Step Angle Accuracy - ± 3 Arc Minute
Insulation Class - H
Protection Class - DIN 40050 - IP 68
Ambient Temperature - 20°C + 50°C
Temperature Rise - 80°C Max. (Rated Current Phase 2 ON)
Insulation Resistance 100 M Ohms Min.500 VDC
Dielectric Strength 500 VAC For One Minute
Shaft Radial Play 0.02 Max. Play (450 G Load)
Shaft Axial Play 0.08 Max. Play (450 G Load)
Max.Radial Force 28 N (20MM From Front Flange)
Max.Axial Force 10 N

SPECIFICATION BH42SH79 - 0854A - IP 68

	MODEL	Bipolar	
1	Rated Voltage	V	10.2
2	Current / Phase	A	0.85
3	Resistance / Phase	± 10% Ω	12
4	Inductance / Phase	± 20% mH	18
5	Holding Torque	Nm	0.9
6	Rotor Inertia	G-CM ²	102
7	Weight	KG.	0.487
8	No of Lead	N ⁰	4
9	Operating Voltage	VDC	24 - 48

Wiring Diagram



MOTOR MODEL - Bh42 SH79-0854A - IP 68



Bholanath Precision Engineering Pvt.Ltd.

11,Kembros Ind.Estate , Sonapur Lane , Bhandup (W),Mumbai - 400078.
Telefax/Phone : 25662856/25664338/67993260 Email : support@bholanath.in
Mobile No : 9920903825/9821671733/9930514603/9819515543/9323166582.