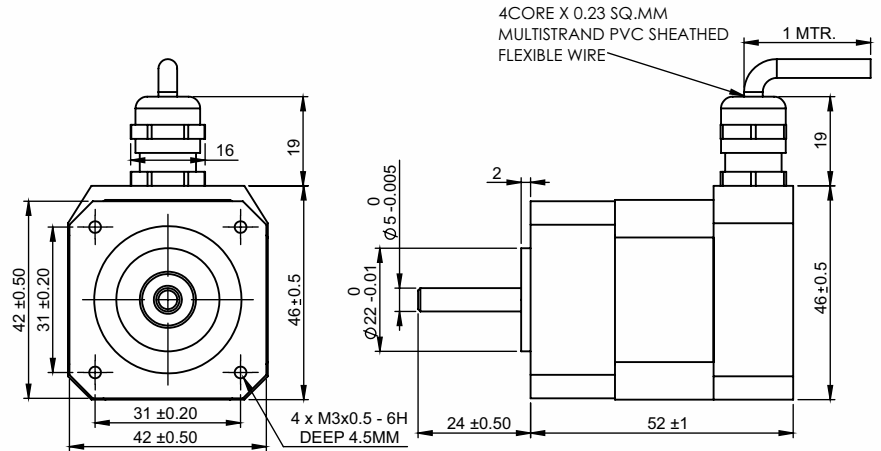
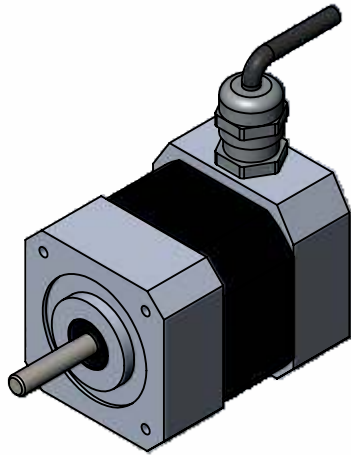


SPECIFICATION SHEET
Bholanath

STEPPER MOTOR
BH42 SH 52-0404A-IP68
HIGH TORQUE HYBRID



IP 68 PROTECTION AGAINST CONTACT AND INFILTRATION OF DIRT AND WATER (UP TO 2MTR FOR 2 HOURS)



TECHNICAL DATA

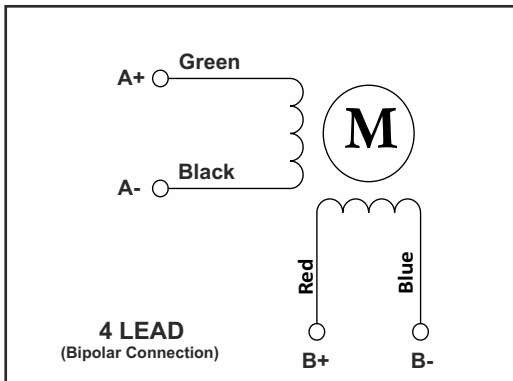
CHARACTERISTICS

Step Angle - 1.8°
Step Angle Accuracy - ± 3 Arc Minute
Insulation Class - H
Ambient Temperature - - 20°C + 50°C
Temperature Rise - 80°C Max. (Rated Current Phase 2 ON)
Insulation Resistance 100 M Ohms Min.500 VDC
Dielectric Strength 500 VAC For One Minute
Shaft Radial Play 0.02 Max. Play (450 G Load)
Shaft Axial Play 0.08 Max. Play (450 G Load)
Max.Radial Force 28 N (20MM From Front Flange)
Max.Axial Force 10 N

SPECIFICATION BH42SH52-0404A-IP68

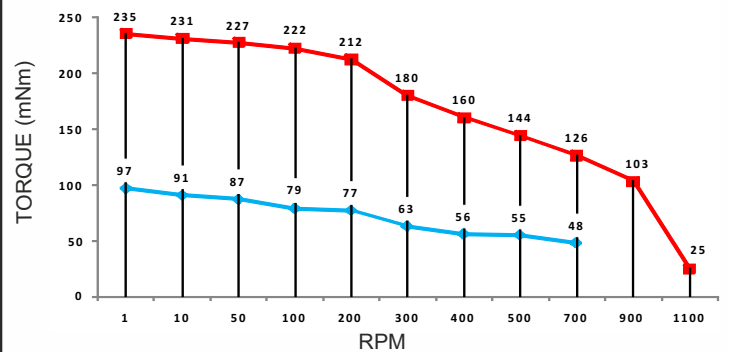
MODEL	BH42SH52-0404A-IP68		
	Bipolar		
1	Rated Voltage	V	12
2	Current / Phase	A	0.4
3	Resistance / Phase	± 10% Ω	30
4	Inductance / Phase	± 20% mH	22
5	Holding Torque	Nm	0.26
6	Rotor Inertia	G-CM ²	35
7	Weight	KG.	0.220
8	No of Lead	N ⁰	4
9	Operating Voltage	VDC	12 - 24

Wiring Diagram



DRIVE SET

■ BH-24VDC/0.25 AMP/FULL STEP/BH MSD-2A
◆ BH-12VDC/0.25 AMP/FULL STEP/BH MSD-2A



MOTOR MODEL - BH42SH52-0404A-IP68



Bholanath Precision Engineering Pvt.Ltd.

11,Kembros Ind.Estate , Sonapur Lane , Bhandup (W),Mumbai - 400078.
Telefax/Phone : 25662856/25664338/67993260 Email : support@bholanath.in
Mobile No : 9920903825/9821671733/9930514603/9819515543/9323166582.