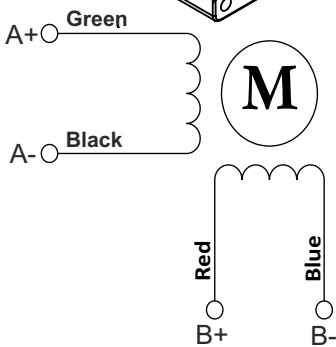
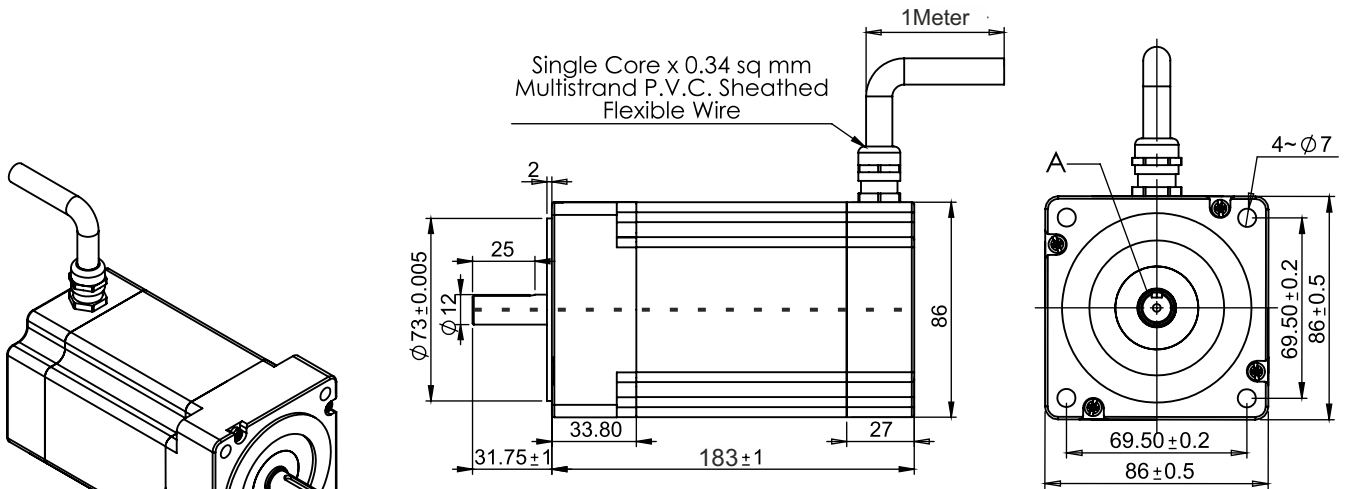


SPECIFICATION SHEET
Bholanath

STEPPER MOTOR
BH86 SH 183 - 6204AKS-IP68
HIGH TORQUE HYBRID



IP 68 PROTECTION AGAINST CONTACT AND INFILTRATION OF DIRT AND WATER (UP TO 2MTR FOR 2 HOURS)



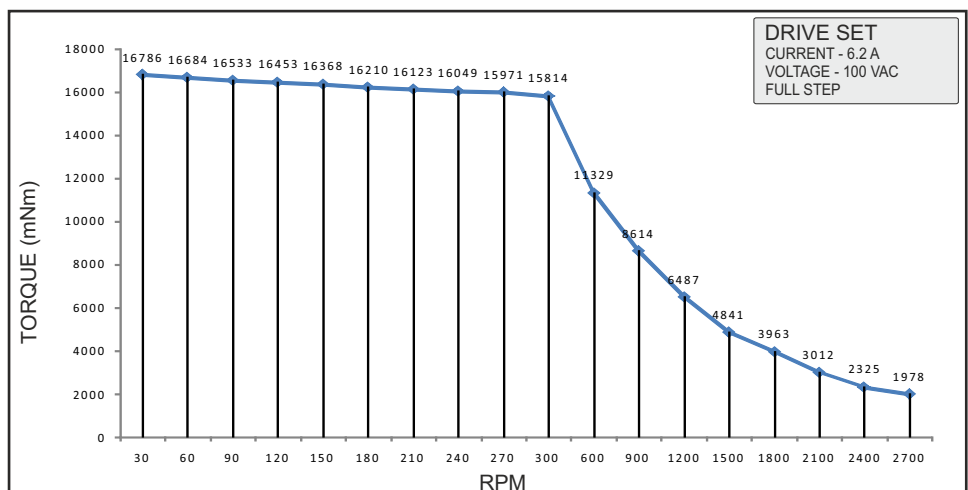
Wiring Diagram

TECHNICAL DATA

SPECIFICATION		BH 86SH 183 - 6204 AKS-IP68	
MODEL		Bipolar	
1	Rated Voltage	V	5.27
2	Current / Phase	A	6.2
3	Resistance / Phase	± 10% Ω	0.85
4	Inductance / Phase	± 20% mH	9.4
5	Holding Torque	Nm	17.55
6	Rotor Inertia	G-CM ²	5500
7	Weight	KG.	5.5
8	No of Lead	N ⁰	4
9	Operating Voltage	VDC	24 - 140

CHARACTERISTICS

Step Angle - 1.8°
Step Angle Accuracy - ± 3 Arc Minute
Insulation Class - H
Ambient Temperature - - 20°C + 50°C
Temperature Rise - 80°C Max. (Rated Current Phase 2 ON)
Insulation Resistance 100 M Ohms Min.500 VDC
Dielectric Strength 820 VAC For One Minute
Shaft Radial Play 0.02 Max. Play (450 G Load)
Shaft Axial Play 0.08 Max. Play (450 G Load)
Max.Radial Force 220 N (20MM From Front Flange)
Max.Axial Force 60 N



DRIVE SET
CURRENT - 6.2A
VOLTAGE - 100 VAC
FULL STEP

STEPPER MOTOR - BH86SH183.-6204AKS-IP68



Bholanath Precision Engineering Pvt.Ltd.

11,Kembros Ind.Estate , Sonapur Lane , Bhandup (W),Mumbai - 400078.
Telefax/Phone : 25662856/25664338/67993260 Email : support@bholanath.in
Mobile No : 9920903825/9821671733/9930514603/9819515543/9323166582.