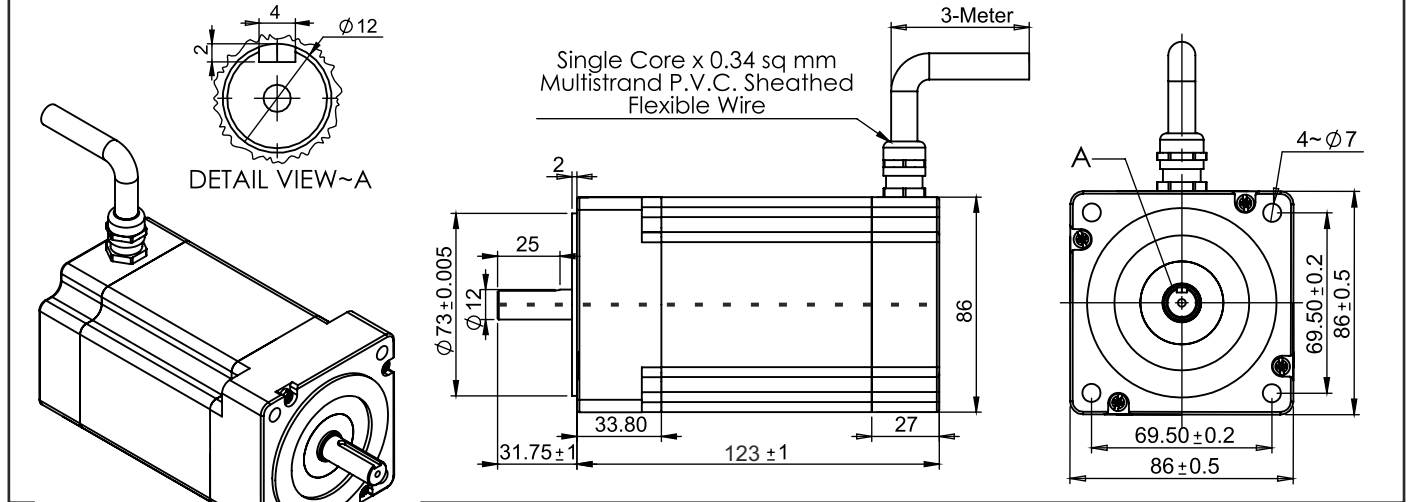


SPECIFICATION SHEET
Bholanath

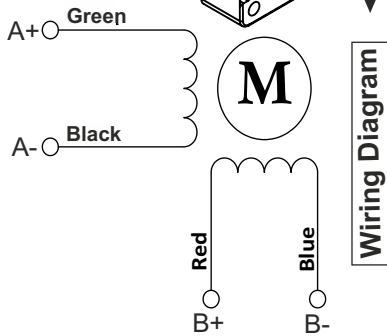
STEPPER MOTOR
BH86 SH 123 - 4004AKS-IP68
HIGH TORQUE HYBRID



IP 68 PROTECTION AGAINST CONTACT AND INFILTRATION OF DIRT AND WATER (UP TO 2MTR FOR 2 HOURS)



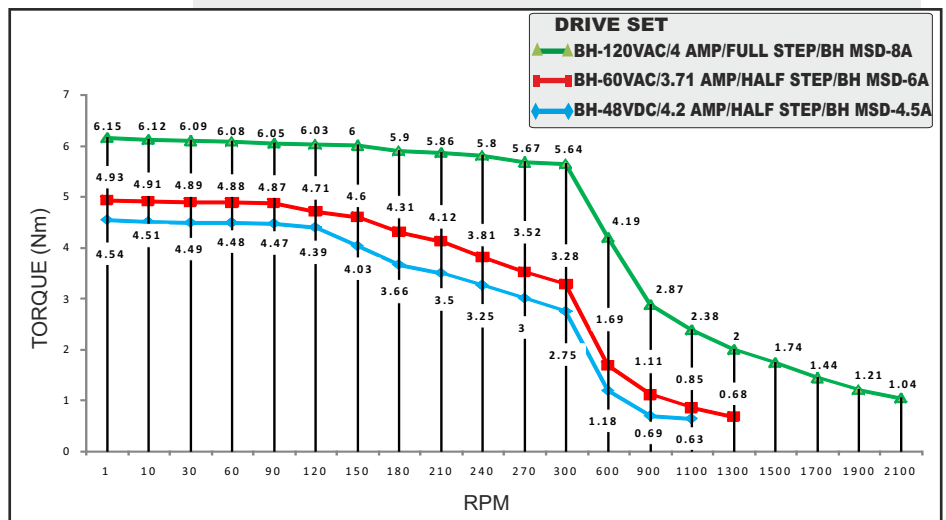
TECHNICAL DATA



| SPECIFICATION BH86SH123 - 4004 AKS-IP68 | | | |
|---|--------------------|-------------------|----------|
| | MODEL | | Bipolar |
| 1 | Rated Voltage | V | 3.8 |
| 2 | Current / Phase | A | 4 |
| 3 | Resistance / Phase | ± 10% Ω | 0.95 |
| 4 | Inductance / Phase | ± 20% mH | 6.8 |
| 5 | Holding Torque | Nm | 7.44 |
| 6 | Rotor Inertia | G-CM ² | 2700 |
| 7 | Weight | KG. | 3.1 |
| 8 | No of Lead | N ⁰ | 4 |
| 9 | Operating Voltage | VDC | 48 - 170 |
| 10 | Operating Voltage | VAC | 34 - 120 |

CHARACTERISTICS

| |
|---|
| Step Angle - 1.8° |
| Step Angle Accuracy - ± 3 Arc Minute |
| Insulation Class - H |
| Ambient Temperature - -20°C + 50°C |
| Temperature Rise - 80°C Max. (Rated Current Phase 2 ON) |
| Insulation Resistance 100 M Ohms Min.500 VDC |
| Dielectric Strength 820 VAC For One Minute |
| Shaft Radial Play 0.02 Max. Play (450 G Load) |
| Shaft Axial Play 0.08 Max. Play (450 G Load) |
| Max.Radial Force 220 N (20MM From Front Flange) |
| Max.Axial Force 60 N |



STEPPER MOTOR -BH86SH123-4004AKS-IP68



Bholanath Precision Engineering Pvt.Ltd.

COMMITTED TO PRECISION

11,Kembros Ind.Estate , Sonapur Lane , Bhandup (W),Mumbai - 400078.

BHOLANATH COOL STEPPERS™

Telefax/Phone : 25662856/25664338/67993260 Email : support@bholanath.in
Mobile No : 9920903825/9821671733/9930514603/9819515543/9323166582.