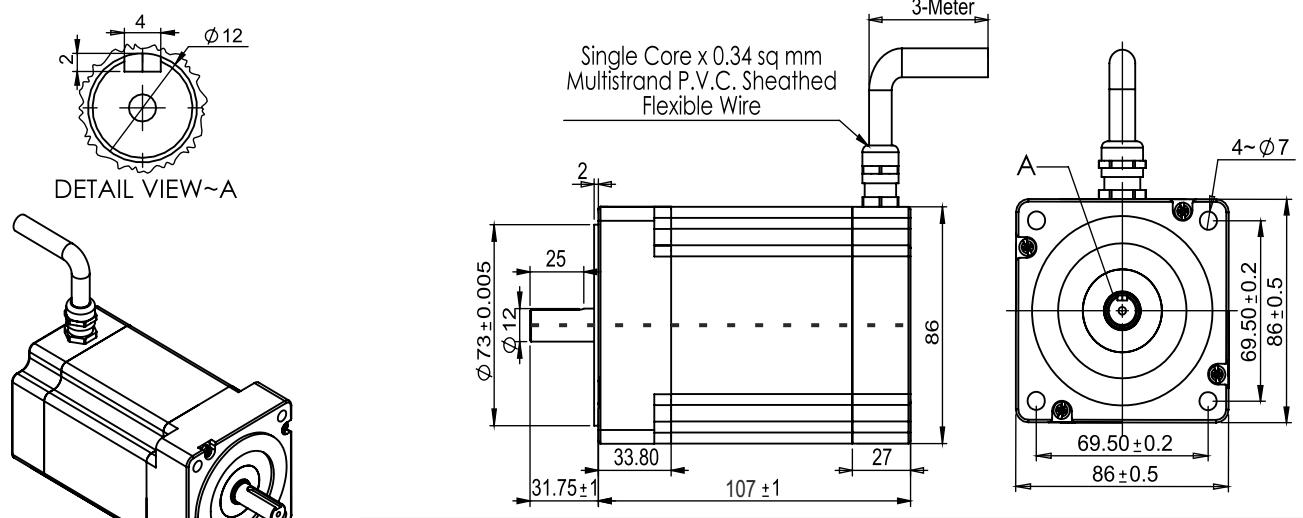


SPECIFICATION SHEET
Bholanath

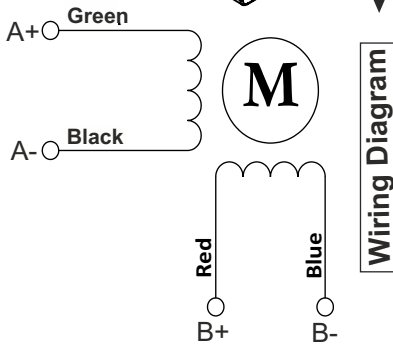
STEPPER MOTOR
BH86 SH 107 - 2004AKS-IP68
HIGH TORQUE HYBRID



IP 68 PROTECTION AGAINST CONTACT AND INFILTRATION OF DIRT AND WATER (UP TO 2MTR FOR 2 HOURS)

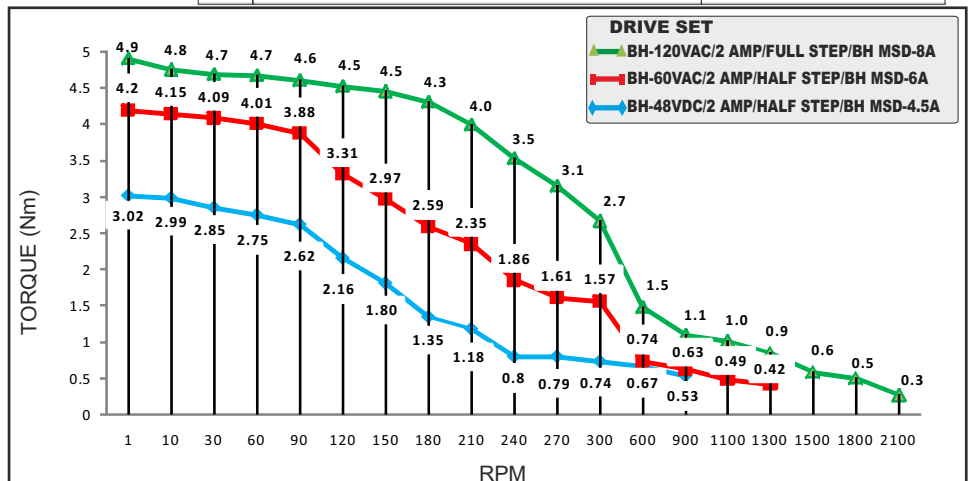


TECHNICAL DATA



SPECIFICATION BH86SH107 - 2004 AKS-IP68			
	MODEL	Bipolar	
1	Rated Voltage	V	7.96
2	Current / Phase	A	2
3	Resistance / Phase	± 10% Ω	3.98
4	Inductance / Phase	± 20% mH	41.6
5	Holding Torque	Nm	5.09
6	Rotor Inertia	G-CM ²	1400
7	Weight	KG.	2.5
8	No of Lead	N ⁰	4
9	Operating Voltage	VDC	48 - 170
9	Operating Voltage	VAC	34 - 120

CHARACTERISTICS
Step Angle - 1.8°
Step Angle Accuracy - ± 3 Arc Minute
Insulation Class - H
Ambient Temperature - - 20°C + 50°C
Temperature Rise - 80°C Max. (Rated Current Phase 2 ON)
Insulation Resistance 100 M Ohms Min.500 VDC
Dielectric Strength 820 VAC For One Minute
Shaft Radial Play 0.02 Max. Play (450 G Load)
Shaft Axial Play 0.08 Max. Play (450 G Load)
Max.Radial Force 220 N (20MM From Front Flange)
Max.Axial Force 60 N



STEPPER MOTOR -BH86SH107-2004AKS-IP68



Bholanath Precision Engineering Pvt.Ltd.

11,Kembros Ind.Estate , Sonapur Lane , Bhandup (W),Mumbai - 400078.
Telefax/Phone : 25662856/25664338/67993260 Email : support@bholanath.in
Mobile No : 9920903825/9821671733/9930514603/9819515543/9323166582.