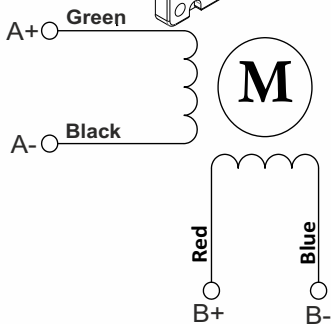
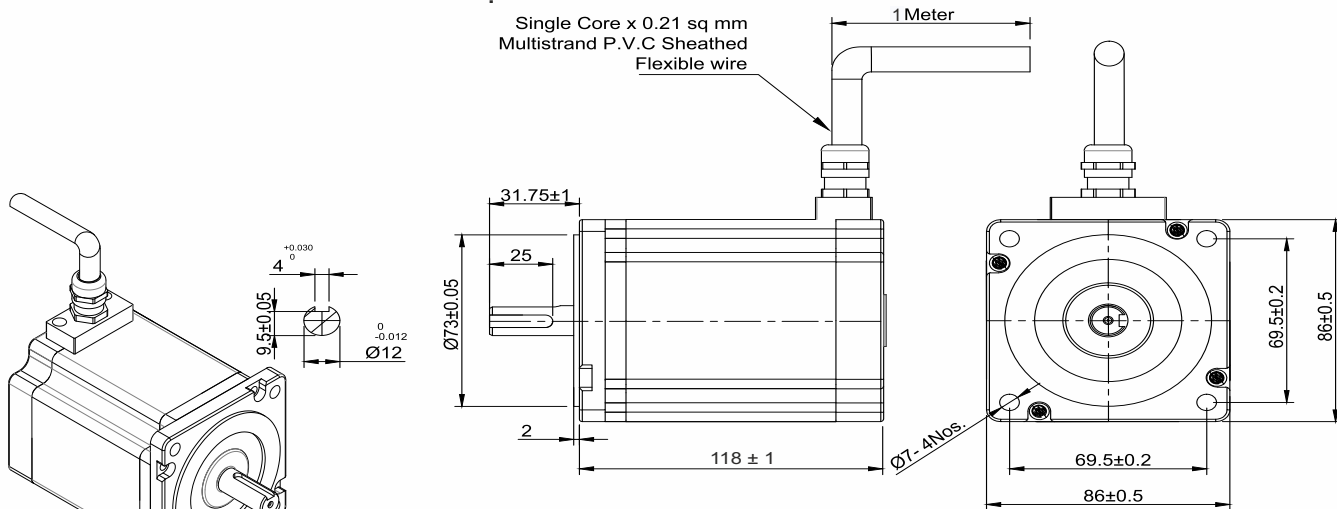


SPECIFICATION SHEET
Bholanath

STEPPER MOTOR
BH86 SH 118 - 4004AKS-IP65
HIGH TORQUE HYBRID



IP65 PROTECTION AGAINST CONTACT AND INFILTRATION OF WATER AND DIRT



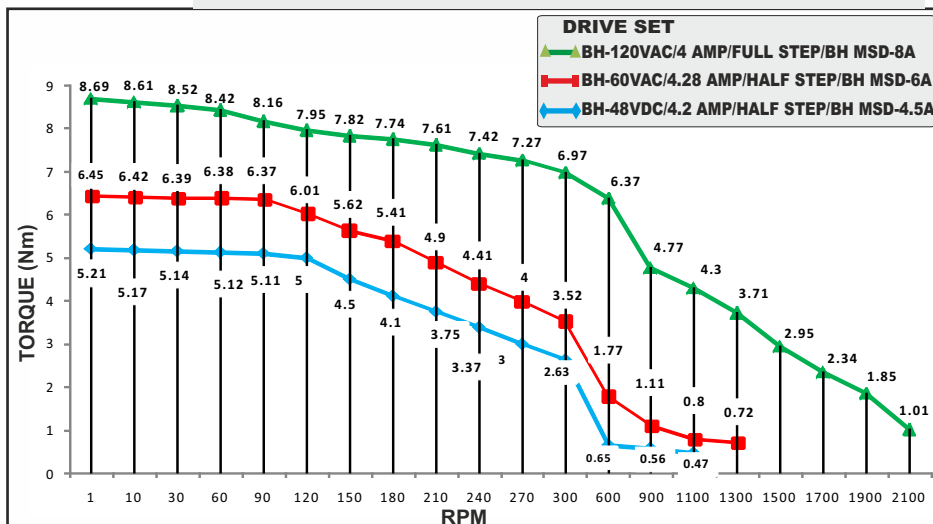
Wiring Diagram

TECHNICAL DATA

SPECIFICATION BH 86SH 118 - 4004 AKS-IP65		
	MODEL	Bipolar
1	Rated Voltage	V 3.08
2	Current / Phase	A 4
3	Resistance / Phase	± 10% Ω 0.77
4	Inductance / Phase	± 20% mH 4.5
5	Holding Torque	Nm 9.19
6	Rotor Inertia	G-CM ² 2700
7	Weight	KG. 4
8	No of Lead	N ⁰ 4
9	Operating Voltage	VDC 48 - 170
10	Operating Voltage	VAC 34 - 120

CHARACTERISTICS

Step Angle - 1.8°
Step Angle Accuracy - ± 3 Arc Minute
Insulation Class - H
Ambient Temperature - - 20
Temperature Rise - 80°C Max. 0°C + 50°C (Rated Current Phase 2 ON)
Insulation Resistance 100 M Ohms Min.500 VDC
Dielectric Strength 820 VAC For One Minute
Shaft Radial Play 0.02 Max. Play (450 G Load)
Shaft Axial Play 0.08 Max. Play (450 G Load)
Max.Radial Force 220 N (20MM From Front Flange)
Max.Axial Force 60 N



STEPPER MOTOR - BH86SH118- 4004 AKS-IP65



Bholanath Precision Engineering Pvt.Ltd.

11,Kembros Ind.Estate , Sonapur Lane , Bhandup (W),Mumbai - 400078.
Telefax/Phone : 25662856/25664338/67993260 Email : support@bholanath.in
Mobile No : 9920903825/9821671733/9930514603/9819515543/9323166582.