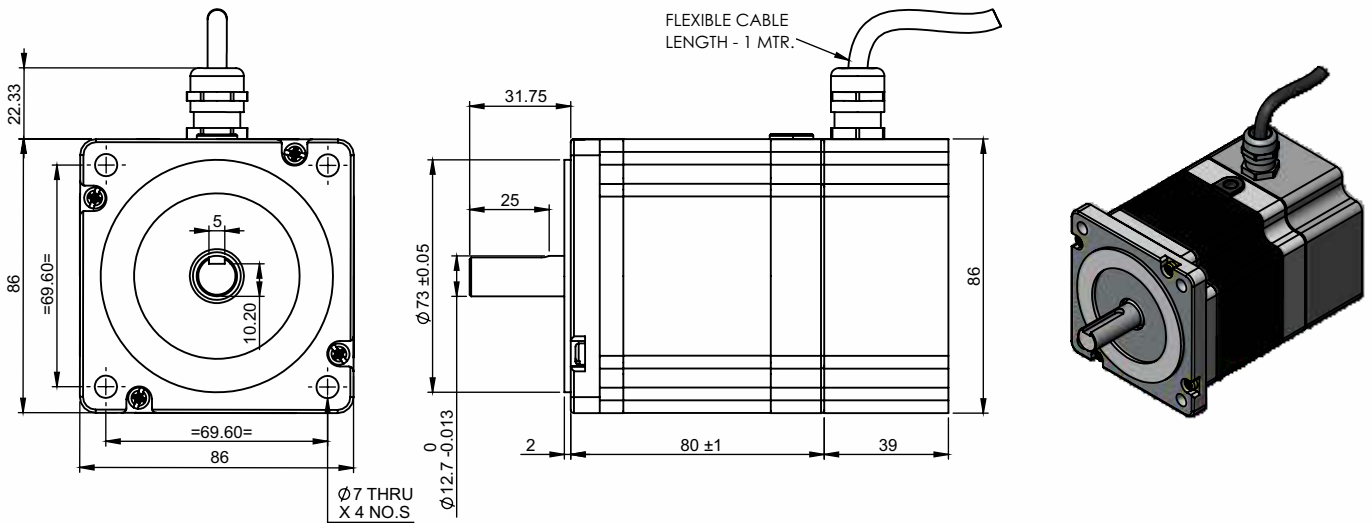


SPECIFICATION SHEET
Bholanath

INTEGRATED DRIVE STEPPER MOTOR
BH86 SH 80 - 4104AKS
HIGH TORQUE HYBRID



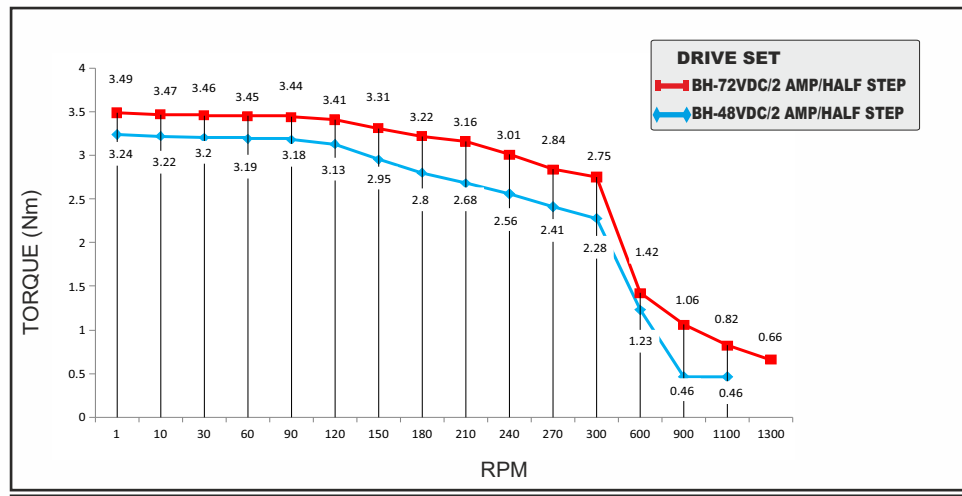
TECHNICAL DATA

CHARACTERISTICS
Step Angle - 1.8°
Step Angle Accuracy - ± 3 Arc Minute
Insulation Class - H
Ambient Temperature - - 20°C + 50°C
Temperature Rise - 80°C Max. (Rated Current Phase 2 ON)
Insulation Resistance 100 M Ohms Min.500 VDC
Dielectric Strength 820 VAC For One Minute
Shaft Radial Play 0.02 Max. Play (450 G Load)
Shaft Axial Play 0.08 Max. Play (450 G Load)
Max.Radial Force 220 N (20MM From Front Flange)
Max.Axial Force 60 N

SPECIFICATION		BH86SH80 - 4104 AKS	
	MODEL		Bipolar
1	Rated Voltage	V	3.07
2	Current / Phase	A	4.1
3	Resistance / Phase	± 10% Ω	0.75
4	Inductance / Phase	± 20% mH	6.0
5	Holding Torque	Nm	5.09
6	Rotor Inertia	G-CM ²	1400
7	Weight	KG.	2.5
8	No of Lead	N ⁰	4
9	Operating Voltage	VDC	48 - 72

Wiring Details.

Yellow	→	Pulse -
Green	→	Dir -
Blue	→	ENA-
White	→	Com.
Red	→	+ VDC
Black	→	- VDC



STEPPER MOTOR - BH86SH80-4104AKS