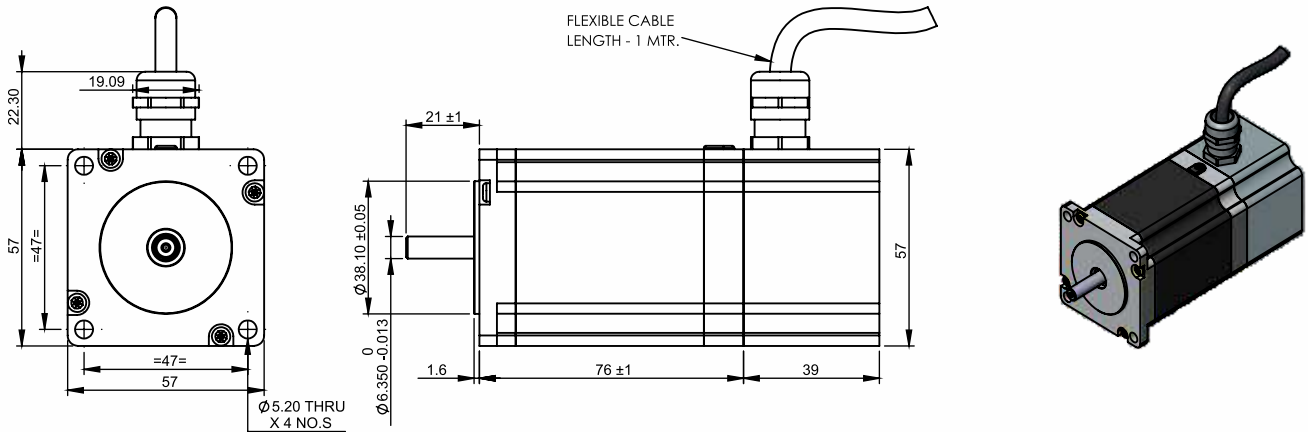


SPECIFICATION SHEET
Bholanath

INTEGRATED DRIVE STEPPER MOTOR
BH 57 SH 76-2804 A-I
HIGH TORQUE HYBRID



TECHNICAL DATA

CHARACTERISTICS

Step Angle - 1.8°
Step Angle Accuracy - ± 3 Arc Minute
Insulation Class - H
Ambient Temperature - - 20°C + 50°C
Temperature Rise - 80°C Max. (Rated Current Phase 2 ON)
Insulation Resistance 100 M Ohms Min.500 VDC
Dielectric Strength 500 VAC For One Minute
Shaft Radial Play 0.02 Max. Play (450 G Load)
Shaft Axial Play 0.08 Max. Play (450 G Load)
Max.Radial Force 75 N (20MM From Front Flange)
Max.Axial Force 15 N

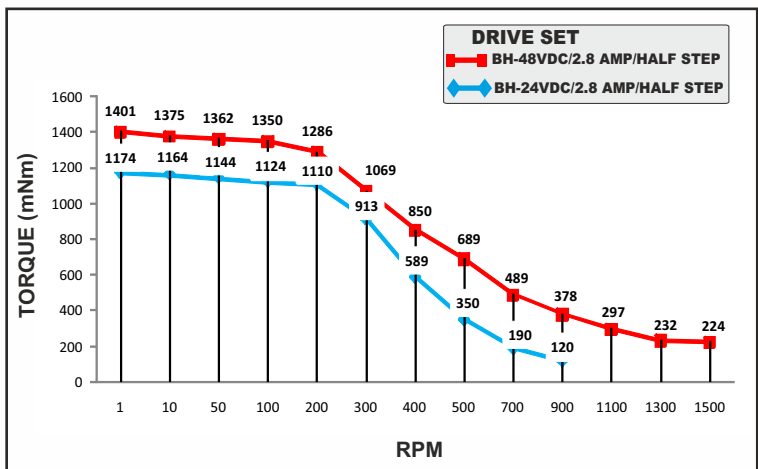
Wiring Details.

- Yellow → Pulse -
- Green → Dir -
- Blue → ENA-
- White → Com.
- Red → + VDC
- Black → - VDC

SPECIFICATION

BH57SH76 - 2804 A-I

MODEL	Bipolar	
1 Rated Voltage	V	3.36
2 Current / Phase	A	2.8
3 Resistance / Phase	± 10% Ω	1.2
4 Inductance / Phase	± 20% mH	4.5
5 Holding Torque	Nm	1.89
6 Rotor Inertia	G-CM ²	480
7 Weight	KG.	1.05
8 No of Lead	N ⁰	4
9 Operating Voltage	VDC	24 - 48



MOTOR MODEL - BH57SH76-2804A-I



Bholanath Precision Engineering Pvt.Ltd.

COMMITTED TO PRECISION

11,Kembros Ind.Estate , Sonapur Lane , Bhandup (W),Mumbai - 400078.

BHOLANATH COOL STEPPERS™

Telefax/Phone : 25662856/25664338/67993260 Email : support@bholanath.in

Mobile No : 9920903825/9821671733/9930514603/9819515543/9323166582.