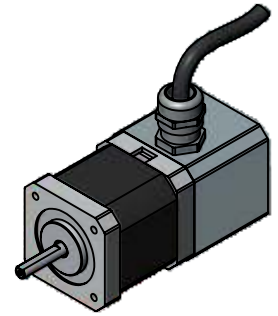
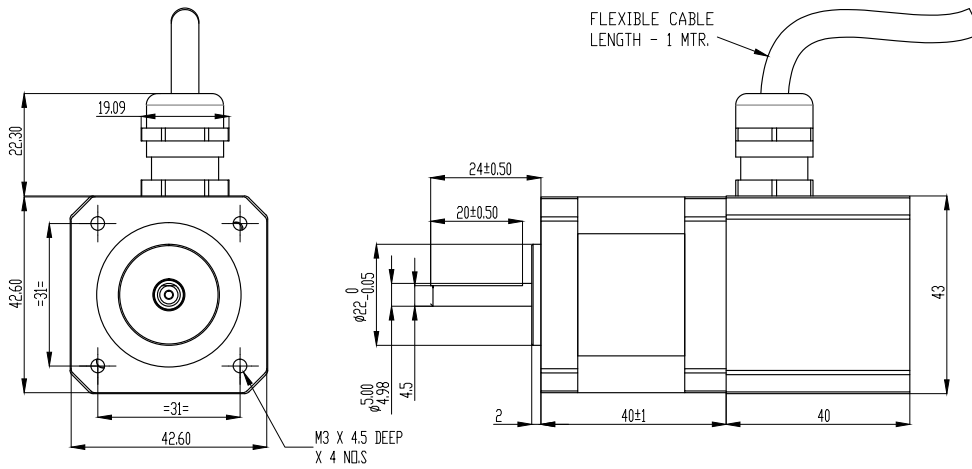


SPECIFICATION SHEET
Bholanath

INTEGRATED DRIVE STEPPER MOTOR
BH42 SH 40-1204 A-I
HIGH TORQUE HYBRID



TECHNICAL DATA

CHARACTERISTICS

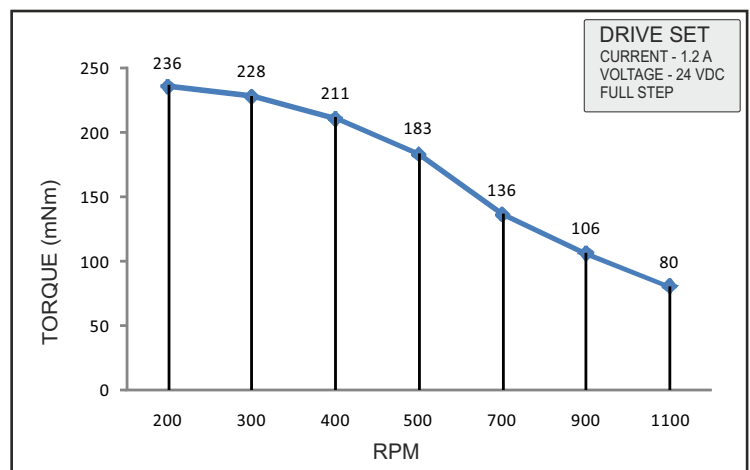
Step Angle - 1.8°
Step Angle Accuracy - ± 3 Arc Minute
Insulation Class - H
Ambient Temperature - - 20°C + 50°C
Temperature Rise - 80°C Max. (Rated Current Phase 2 ON)
Insulation Resistance 100 M Ohms Min.500 VDC
Dielectric Strength 500 VAC For One Minute
Shaft Radial Play 0.02 Max. Play (450 G Load)
Shaft Axial Play 0.08 Max. Play (450 G Load)
Max.Radial Force 28 N (20MM From Front Flange)
Max.Axial Force 10 N

SPECIFICATION BH42SH40 -1204A-I

	MODEL	Bipolar	
1	Rated Voltage	V	3.36
2	Current / Phase	A	1.2
3	Resistance / Phase	± 10% Ω	2.86
4	Inductance / Phase	± 20% mH	4.65
5	Holding Torque	Nm	0.4
6	Rotor Inertia	G-CM ²	68
7	Weight	KG.	0.383
8	No of Lead	N ^o	4
9	Operating Voltage	VDC	12 - 24

Wiring Details.

Yellow	→	Pulse -
Green	→	Dir -
Blue	→	ENA-
White	→	Com.
Red	→	+ VDC
Black	→	- VDC



MOTOR MODEL - Bh42 SH 40-1204A-I



Bholanath Precision Engineering Pvt.Ltd.

11,Kembros Ind.Estate , Sonapur Lane , Bhandup (W),Mumbai - 400078.
Telefax/Phone : 25662856/25664338/67993260 Email : support@bholanath.in
Mobile No : 9920903825/9821671733/9930514603/9819515543/9323166582.