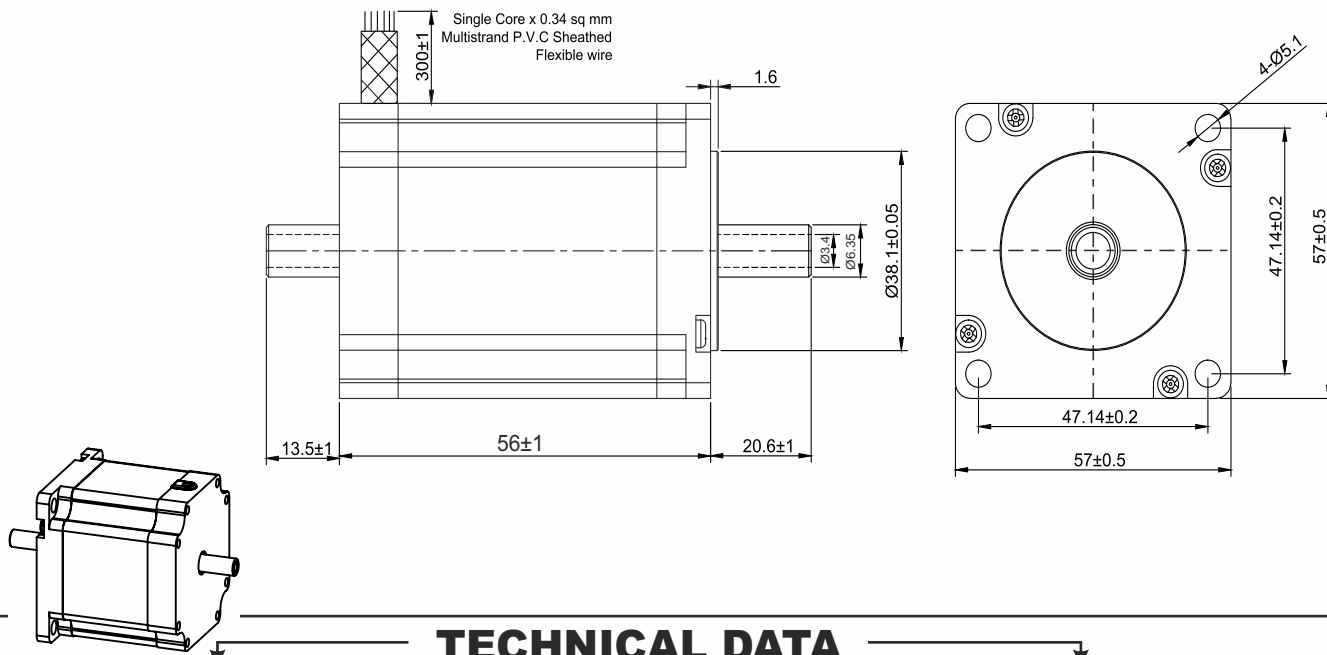


**SPECIFICATION SHEET**  
**Bholanath**

**STEPPER MOTOR**  
**BH 57 SH 56-2004 HS**  
**HIGH TORQUE HYBRID**



**TECHNICAL DATA**

**CHARACTERISTICS**

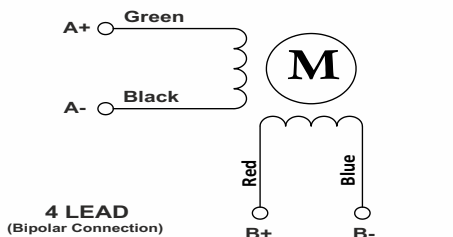
- Step Angle - 1.8°
- Step Angle Accuracy - ± 3 Arc Minute
- Insulation Class - H
- Ambient Temperature - (- 20°C to + 50°C)
- Temperature Rise - 80°C Max. ( Rated Current Phase 2 ON )
- Insulation Resistance 100 M Ohms Min.500 VDC
- Dielectric Strength 500 VAC For One Minute
- Shaft Radial Play 0.02 Max. Play ( 450 G Load )
- Shaft Axial Play 0.08 Max. Play ( 450 G Load )
- Max.Radial Force 75 N ( 20MM From Front Flange )
- Max.Axial Force 15 N

**SPECIFICATION**

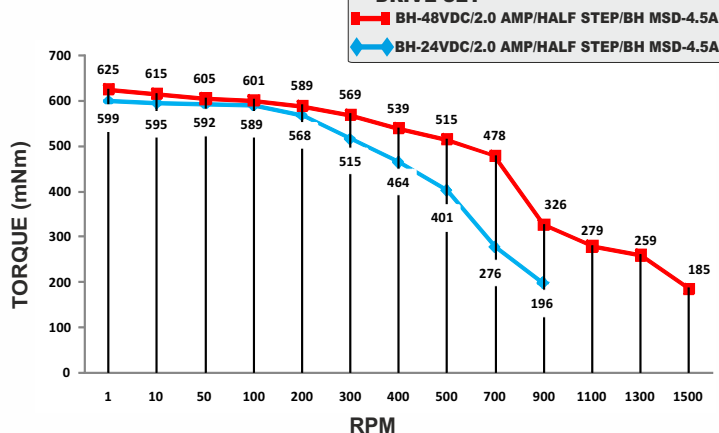
**BH 57 SH 56- 2004 HS**

	MODEL		Bipolar
1	Rated Voltage	V	3.6
2	Current / Phase	A	2
3	Resistance / Phase	± 10% Ω	1.8
4	Inductance / Phase	± 20% mH	4.1
5	Holding Torque	Nm	1.26
6	Rotor Inertia	G-CM <sup>2</sup>	300
7	Weight	KG.	0.75
8	No of Lead	N <sup>o</sup>	4
9	Operating Voltage	VDC	24 - 48

**Wiring Diagram**



**DRIVE SET**



**Bholanath Precision Engineering Pvt.Ltd.**

11,Kembros Ind.Estate , Sonapur Lane , Bhandup (W),Mumbai - 400078.

Telefax/Phone : 25662856/25664338/67993260 Email : support@bholanath.in

Mobile No : 9920903825/9821671733/9930514603/9819515543/9323166582.