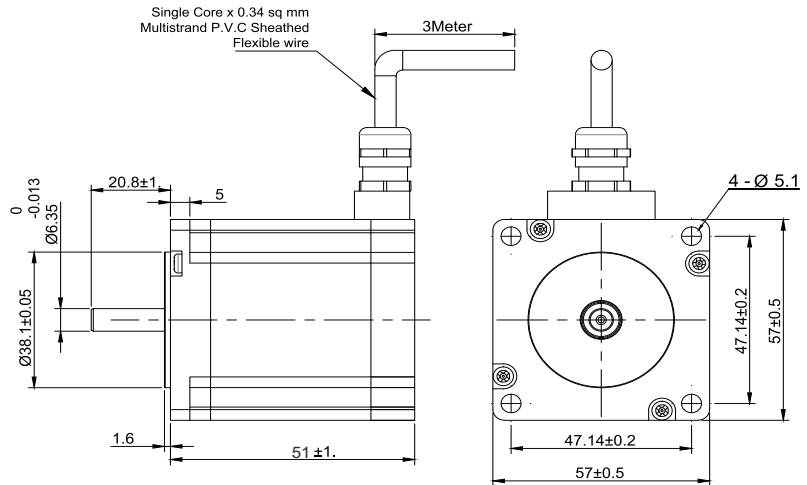
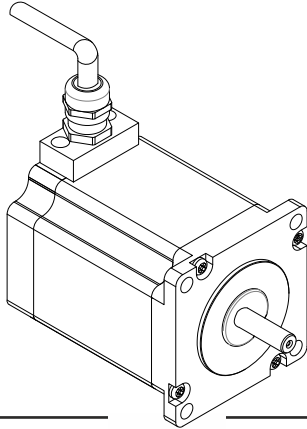


SPECIFICATION SHEET
Bholanath

STEPPER MOTOR
BH 57 SH 51-2804 A - HT
HIGH TORQUE HYBRID



TECHNICAL DATA

CHARACTERISTICS

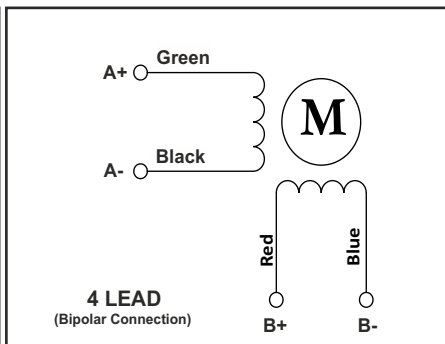
Step Angle - 1.8 ⁰
Step Angle Accuracy - ± 3 Arc Minute
Insulation Class - H
Protection Class - DIN 40050 - IP 65
Ambient Temperature - 20 ⁰ C + 50 ⁰ C
Temperature Rise - 80 ⁰ C Max. (Rated Current Phase 2 ON)
Insulation Resistance 100 M Ohms Min.500 VDC
Dielectric Strength 500 VAC For One Minute
Shaft Radial Play 0.02 Max. Play (450 G Load)
Shaft Axial Play 0.08 Max. Play (450 G Load)
Max.Radial Force 28 N (20MM From Front Flange)
Max.Axial Force 10 N

SPECIFICATION

BH57SH51 - 2804 A - HT

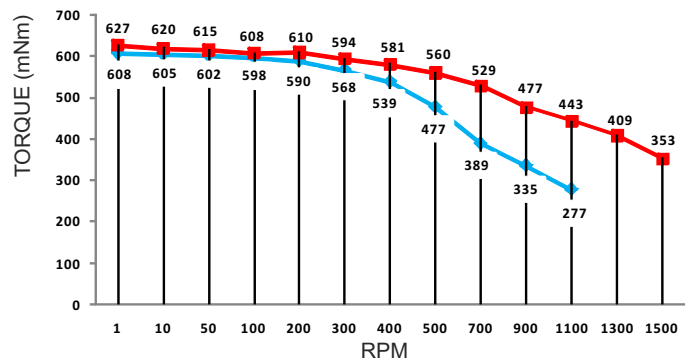
	MODEL	Bipolar	
1	Rated Voltage	V	2.46
2	Current / Phase	A	2.8
3	Resistance / Phase	± 10% Ω	0.88
4	Inductance / Phase	± 20% mH	2.2
5	Holding Torque	Nm	1.01
6	Rotor Inertia	G-CM ²	275
7	Weight	KG.	0.65
8	No of Lead	N ⁰	4
9	Operating Voltage	VDC	12 - 24

Wiring Diagram



DRIVE SET

■ BH-48VDC/2.8 AMP/HALF STEP/BH MSD-4.5A
◆ BH-24VDC/2.8 AMP/HALF STEP/BH MSD-4.5A



MOTOR MODEL - BH57SH51-2804A - HT



Bholanath Precision Engineering Pvt.Ltd.

11,Kembros Ind.Estate , Sonapur Lane , Bhandup (W),Mumbai - 400078.
Telefax/Phone : 25662856/25664338/67993260 Email : support@bholanath.in
Mobile No : 9920903825/9821671733/9930514603/9819515543/9323166582.