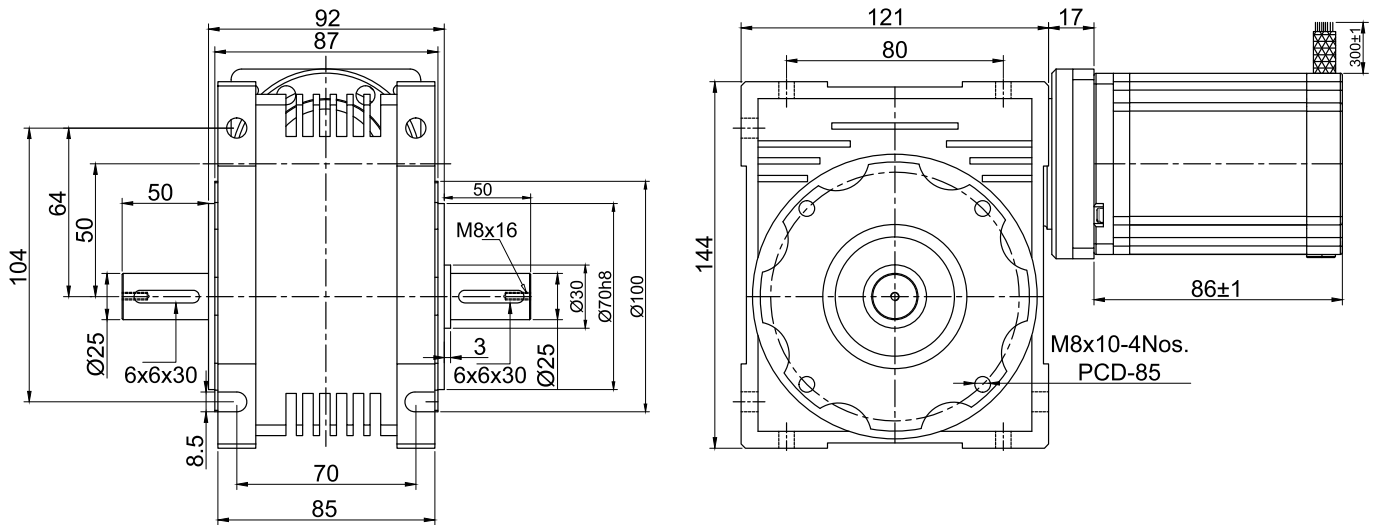


SPECIFICATION SHEET
Bholanath

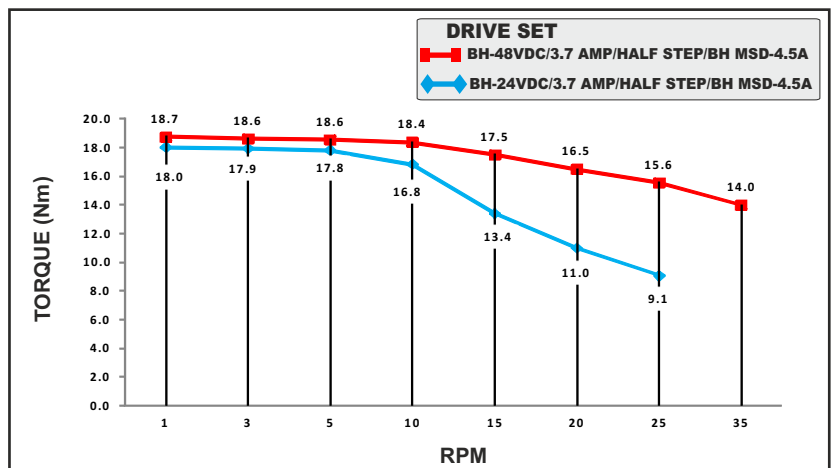
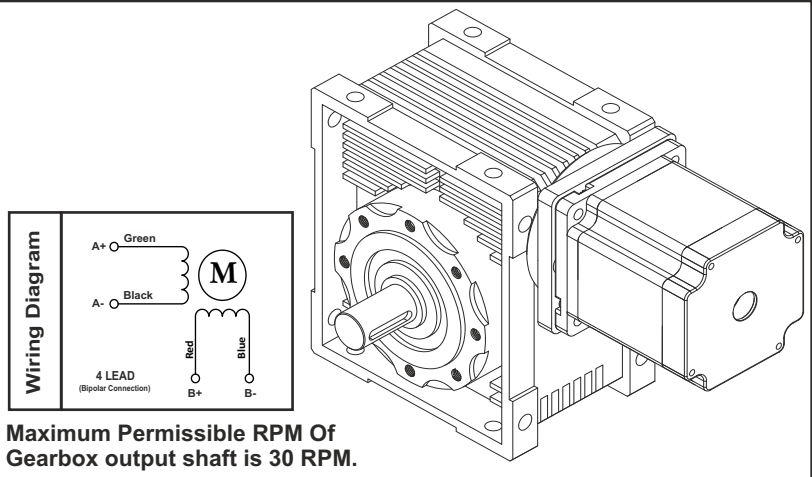
STEPPER MOTOR
BH60 SH 86 - 4004HL-20
HIGH TORQUE HYBRID



TECHNICAL DATA

CHARACTERISTICS

Motor - Bipolar
Steps per Revolution - 200
Step Angle - 1.8 degree
Motor Step Angle Accuracy - ± 3 Arc Minute
Dimensions - Refer drawing
Weight with Gear box - 5.85 Kg
Insulation Class - Class 155
Protection Class - DIN40050 - Ip30
Resistance of Insulation - 100M Ω
Resistance per phase $\pm 10\%$ - 0.69 / 0.7 Ω
Inductance per phase $\pm 20\%$ - 2.65 / 2.70 mH
Normal current per phase - 4.0 Amp
Normal Power - 12.5 Watt
Rated Voltage - 2.76
Operating Voltage - 24 - 48 Vdc
Stock Temperature - 10°C To 40°C
Operation Temperature - -10°C To 80°C
Holding Torque for Motor - 3.1 Nm
Holding Torque With gear Box - 62.0 Nm (620KgcM)
Admissible Radial Load < 2503 N
Gear Box Ratio - 20:1
Backlash ≤ 0.8 Degree



STEPPER MOTOR - BH60SH86-4004HL-20



Bholanath Precision Engineering Pvt.Ltd.

11, Kembros Ind.Estate, Sonapur Lane, Bhandup (W), Mumbai - 400078.
 Telefax/Phone : 25662856/25664338/67993260 Email : support@bholanath.in
 Mobile No : 9920903825/9821671733/9930514603/9819515543/9323166582.