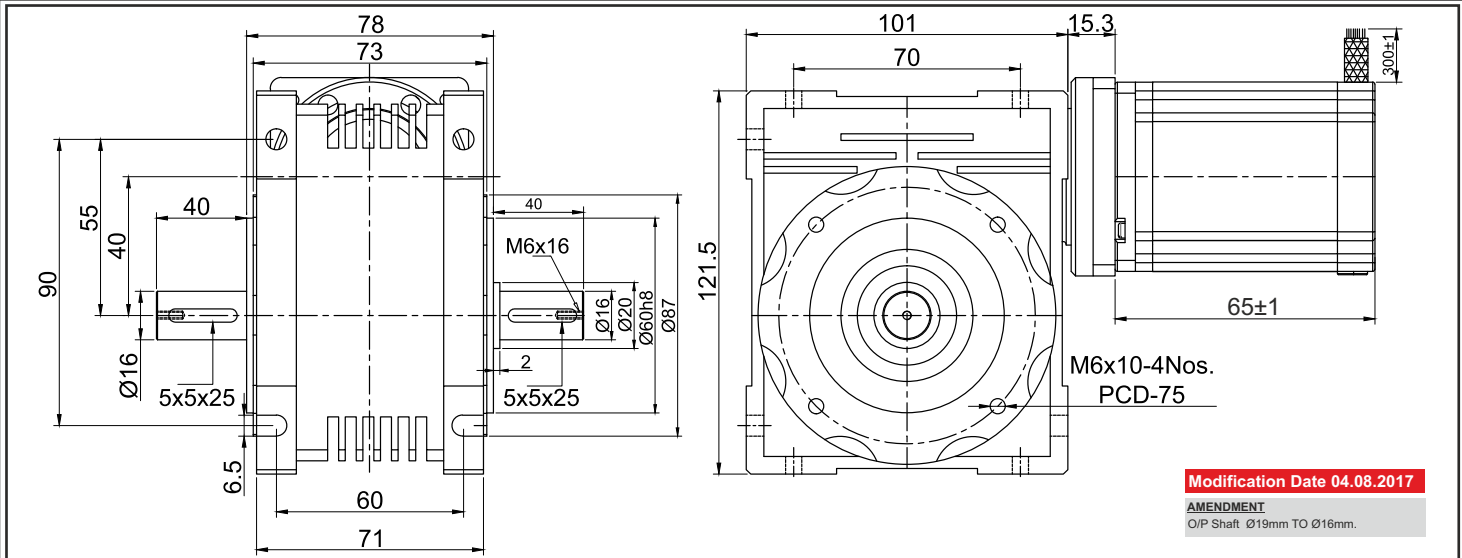


**SPECIFICATION SHEET**  
**Bholanath**

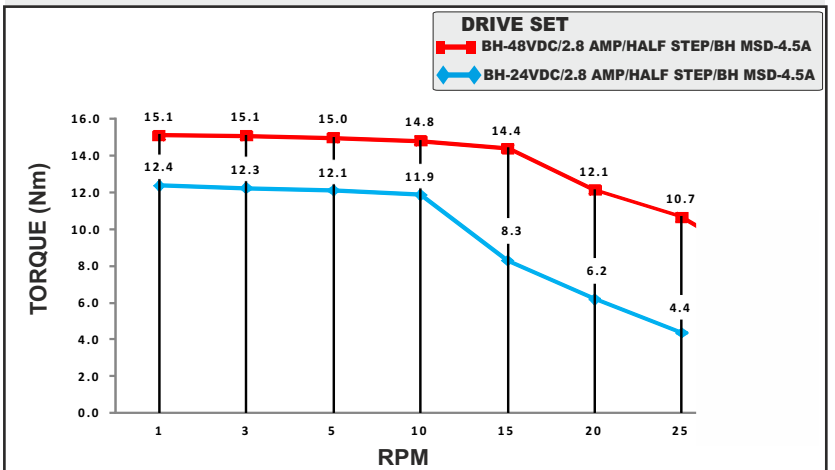
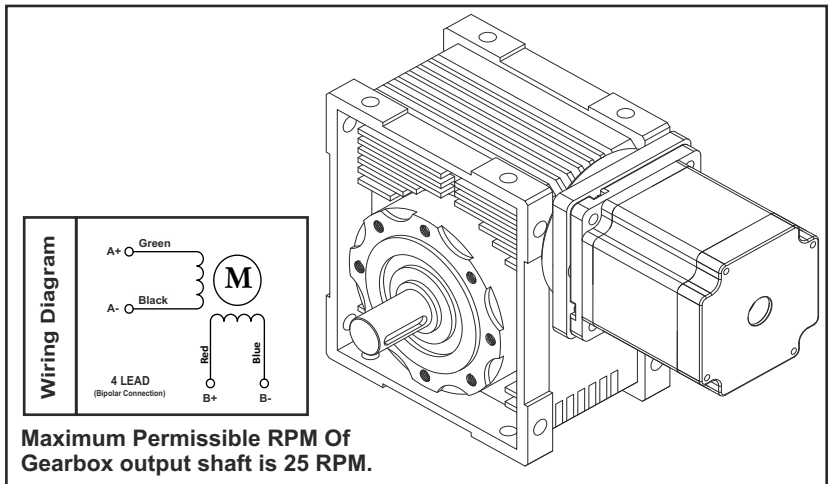
**STEPPER MOTOR**  
**BH 60 SH 65 - 2804 HL-20**  
**HIGH TORQUE HYBRID**



**TECHNICAL DATA**

**CHARACTERISTICS**

Motor - Bipolar
Steps per Revolution - 200
Step Angle - 1.8 degree
Motor Step Angle Accuracy - ± 3 Arc Minute
Dimensions - Refer drawing
Weight with Gear box - 4.0 Kg
Insulation Class - Class 155
Protection Class - DIN40050 - Ip30
Resistance of Insulation - 100M Ω
Resistance per phase ±10% - 1.2 / 1.21Ω
Inductance per phase ±20% - 4.25 / 4.2 mH
Normal current per phase - 2.8 Amp
Normal Power - 9.408 Watt
Rated Voltage - 3.36
Operating Voltage - 24 - 48 Vdc
Stock Temperature - 10°C To 40°C
Operation Temperature - 10°C To 40°C
Holding Torque for Motor - 2.1 Nm
Holding Torque of gear Box - 42.0 Nm (420Kgcm)
Admissible Radial Load < 1824 N
Gear Box Ratio - 20:1
Backlash ≤ 0.8 Degree



MOTOR MODEL - BH60SH65-2804HL-20



**Bholanath Precision Engineering Pvt.Ltd.**

11, Kembros Ind. Estate, Sonapur Lane, Bhandup (W), Mumbai - 400078.

Telefax/Phone : 25662856/25664338/67993260 Email : support@bholanath.in

Mobile No : 9920903825/9821671733/9930514603/9819515543/9323166582.