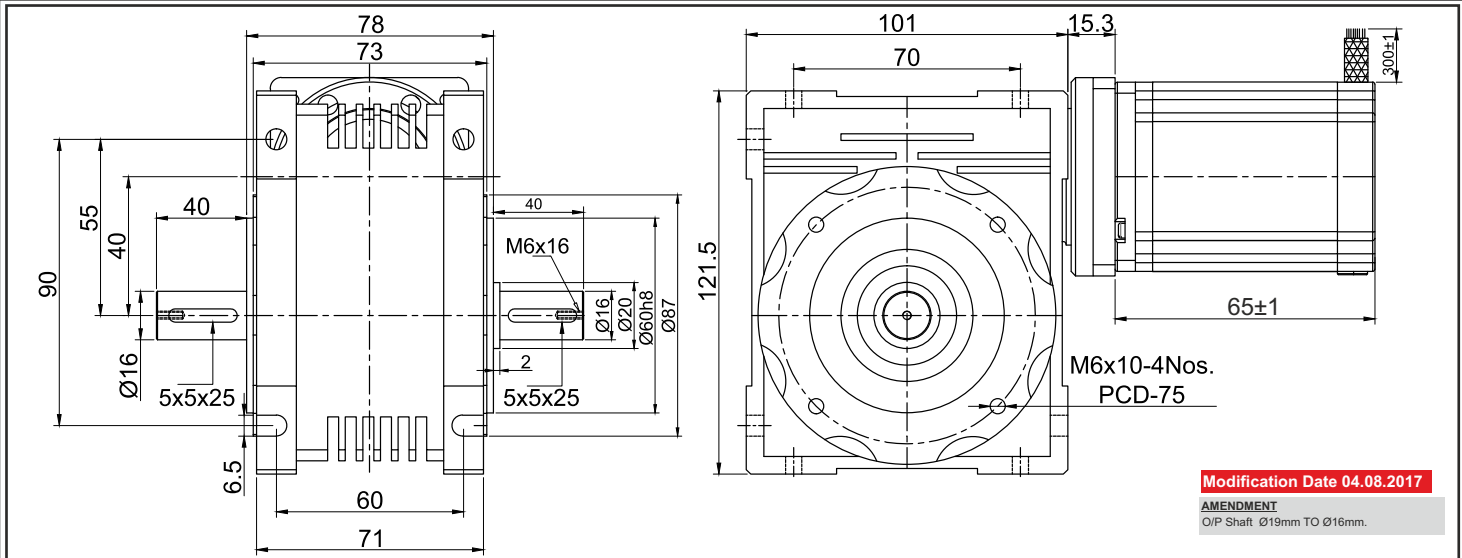


SPECIFICATION SHEET
Bholanath

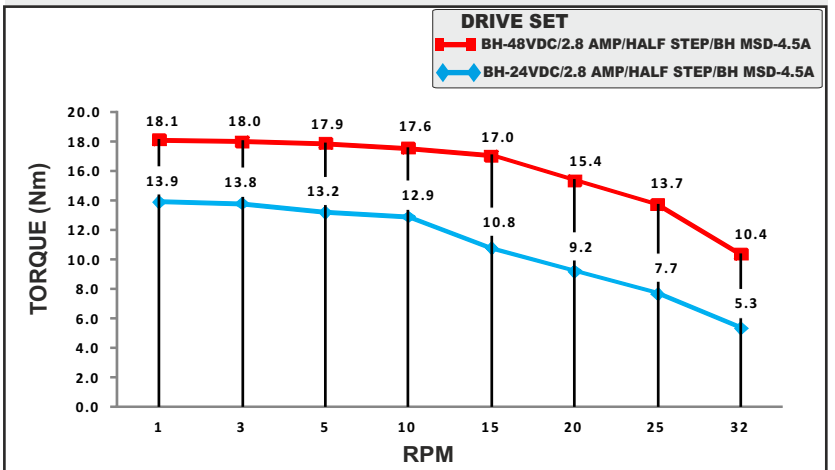
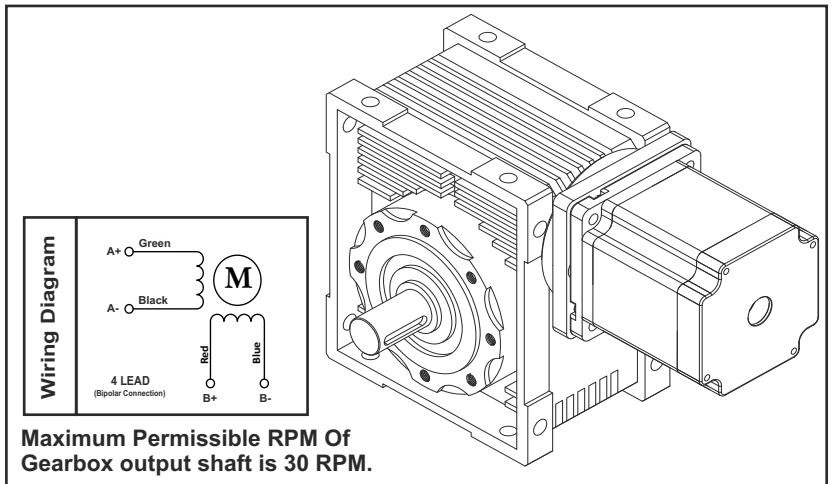
STEPPER MOTOR
BH 60 SH 65 - 2804 HL-15
HIGH TORQUE HYBRID



TECHNICAL DATA

CHARACTERISTICS

Motor - Bipolar
Steps per Revolution - 200
Step Angle - 1.8 degree
Motor Step Angle Accuracy - ± 3 Arc Minute
Dimensions - Refer drawing
Weight with Gear box - 4.0 Kg
Insulation Class - Class 155
Protection Class - DIN40050 - Ip30
Resistance of Insulation - 100M Ω
Resistance per phase ±10% - 1.2 / 1.21Ω
Inductance per phase ±20% - 4.25 / 4.2 mH
Normal current per phase - 2.8 Amp
Normal Power - 9.408 Watt
Rated Voltage - 3.36
Operating Voltage - 24 - 48 Vdc
Stock Temperature - 10°C To 40°C
Operation Temperature - 10°C To 40°C
Holding Torque for Motor - 2.1 Nm
Holding Torque With gear Box - 31.0 Nm (310Kgcm)
Admissible Radial Load <1657 N
Gear Box Ratio - 15:1
Backlash ≤ 0.8 Degree



MOTOR MODEL - BH60SH65-2804HL-15



Bholanath Precision Engineering Pvt.Ltd.

11, Kembros Ind.Estate, Sonapur Lane, Bhandup (W), Mumbai - 400078.

Telefax/Phone : 25662856/25664338/67993260 Email : support@bholanath.in

Mobile No : 9920903825/9821671733/9930514603/9819515543/9323166582.