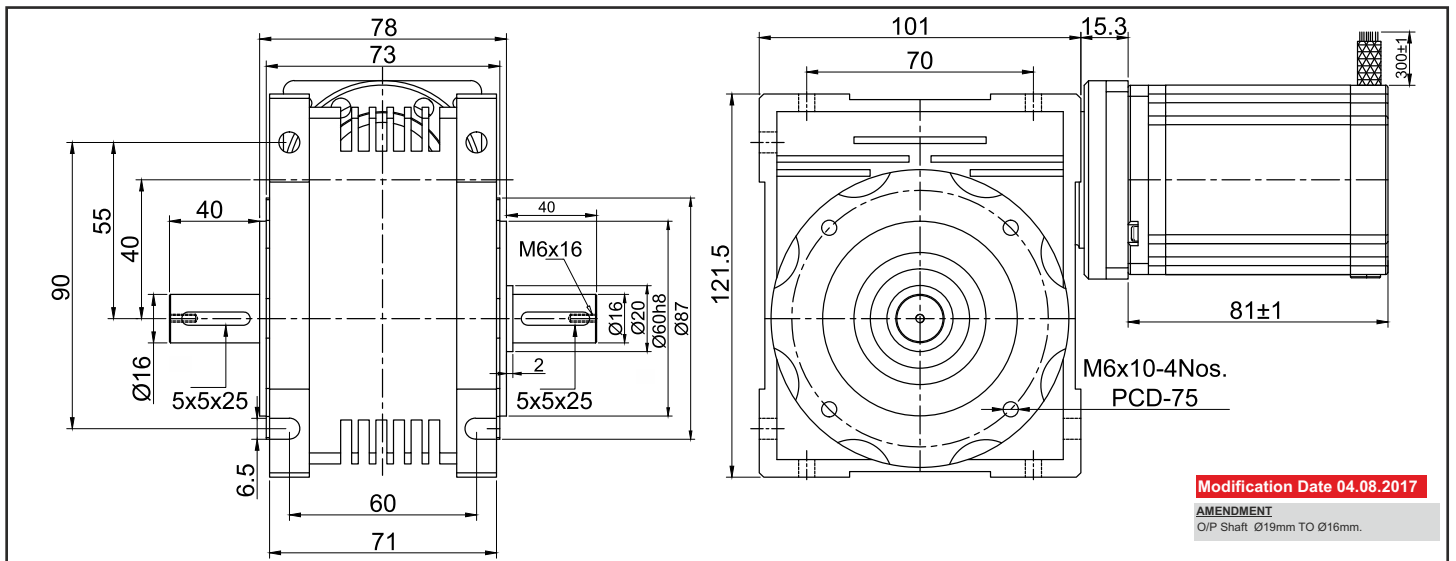


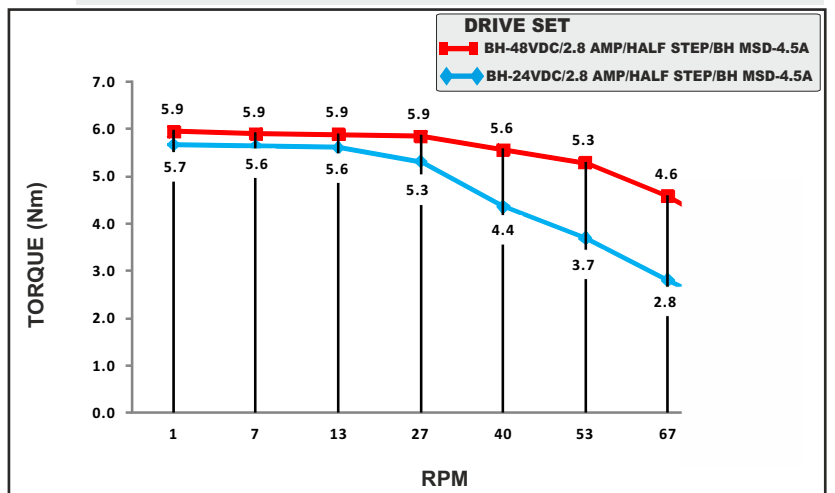
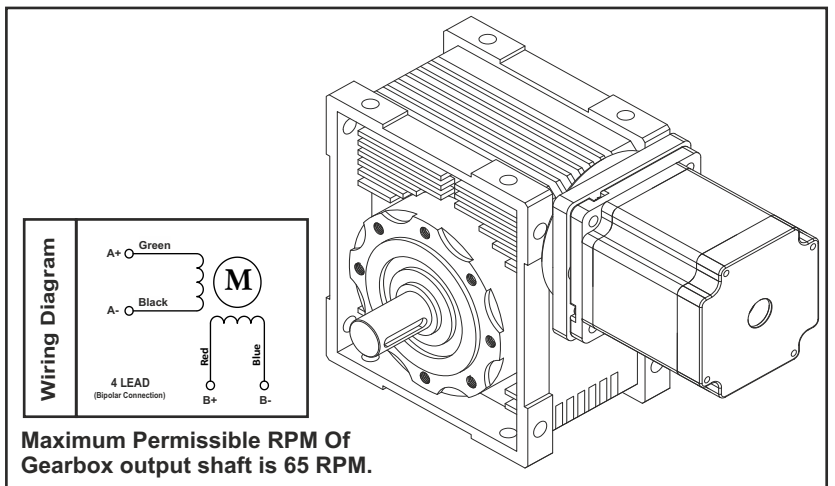
**SPECIFICATION SHEET**  
**Bholanath**

**STEPPER MOTOR**  
**BH 57 SH 81 - 2804 HL-7.5**  
**HIGH TORQUE HYBRID**



**TECHNICAL DATA**

CHARACTERISTICS
Motor - Bipolar
Steps per Revolution - 200
Step Angle - 1.8 degree
Motor Step Angle Accuracy - ± 3 Arc Minute
Dimensions - Refer drawing
Weight with Gear box - 4.0 Kg
Insulation Class - Class 155
Protection Class - DIN40050 - Ip30
Resistance of Insulation - 100M Ω
Resistance per phase ±10% - 1.3 / 1.31Ω
Inductance per phase ±20% - 4.49 / 4.42 mH
Normal current per phase - 2.8 Amp
Normal Power - 10.19 Watt
Rated Voltage - 3.35
Operating Voltage - 24 - 48 Vdc
Stock Temperature - 10°C To 40°C
Operation Temperature -10°C To 40°C
Holding Torque for Motor - 22 Nm
Holding Torque With gear Box - 16.5 Nm (165Kgcm)
Admissible Radial Load < 1315 N
Gear Box Ratio - 7.5:1
Backlash ≤ 0.8 Degree



**MOTOR MODEL -BH57SH81-280HL-7.5**