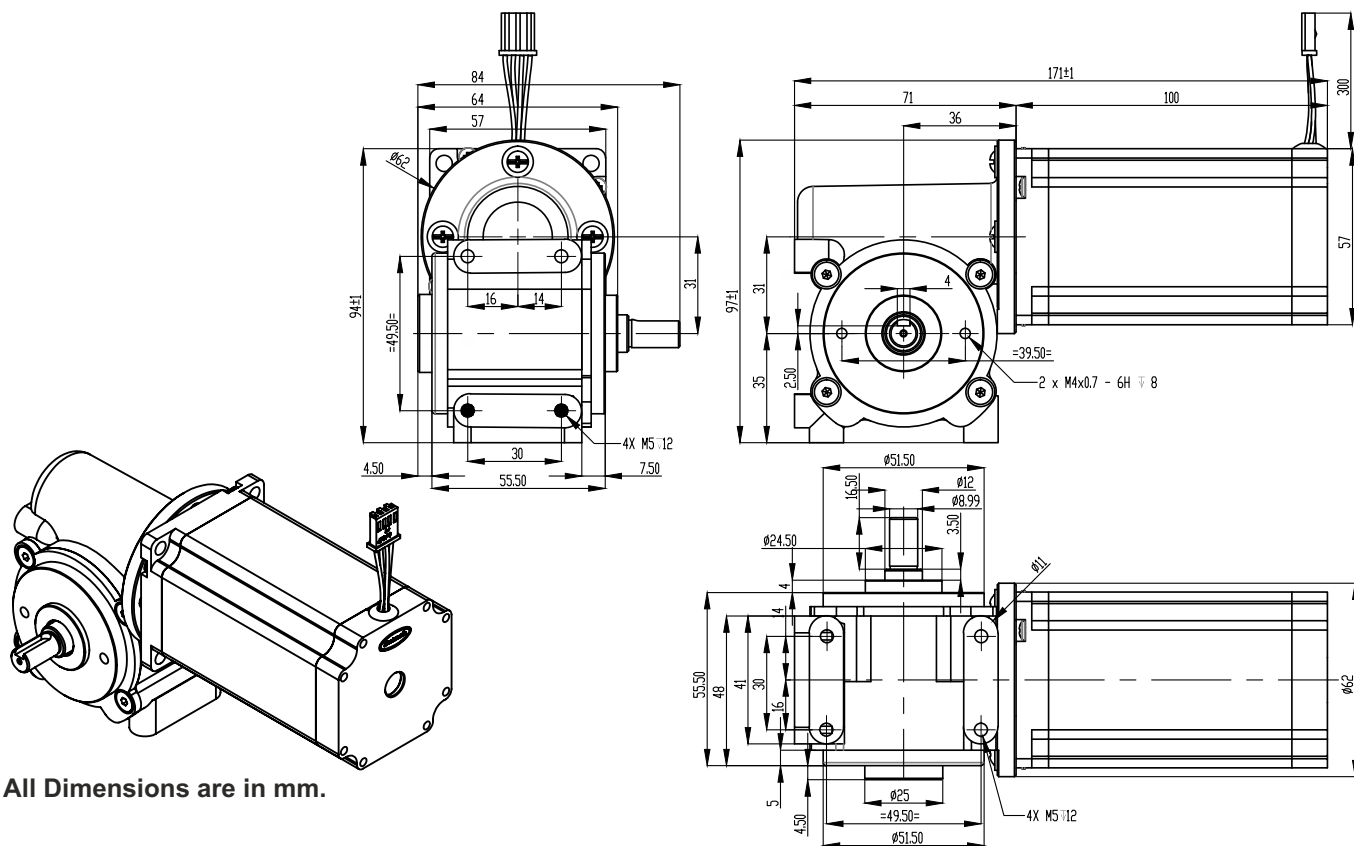


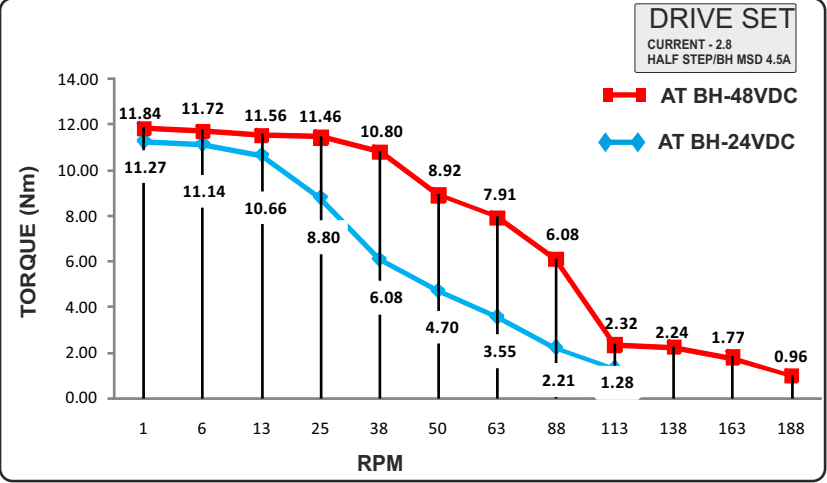
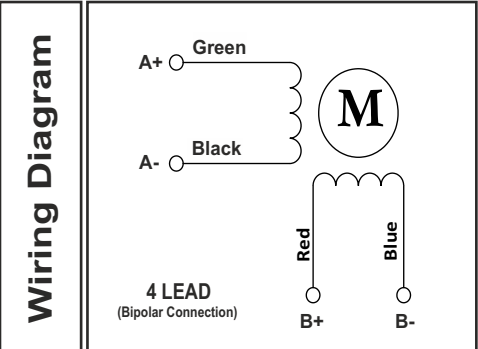
SPECIFICATION SHEET
Bholanath

STEPPER MOTOR
BH57 SH 100 - 3004 AK
HIGH TORQUE HYBRID



All Dimensions are in mm.

CHARACTERISTICS	
Motor -	Bipolar
Steps per Revolution -	200
Step Angle -	1.8 degree
Motor Step Angle Accuracy-	± 3 Arc Minute
Dimensions -	Refer drawing
Weight with Gear box -	2.10 Kg
Insulation Class -	Class 155
Protection Class -	DIN40050 - Ip30
Resistance of Insulation -	100MΩ 500 VDC
Resistance per phase -	1.55 / 1.56 Ω
Inductance per phase -	6.4 / 6.6 mH
Normal current per phase -	3 Amp
Normal Power -	18 Watt
Operating Voltage -	42-48 Vdc
Stock Temperature -	-10° C To +70° C
Operation Temperature -	-10° C To +50° C
Holding Torque for Motor -	2.5 Nm
Holding Torque of gear Box -	15.0 Nm (150Kgcm)
Shaft Axial Play -	0.08 MmmMax(450 G Load)
Shaft Radial Play -	0.02 MmmMax(450 G Load)
Gear Box Ratio -	8:1
Backlash ≤	0.8 Degree
Rotor Inertia of Motor 570 -	GM CM ²
Rotor Inertia of Gearbox 144.23 -	GM CM ²



GEAR BOX STEPPER MOTOR - BH57SH100-3004AK