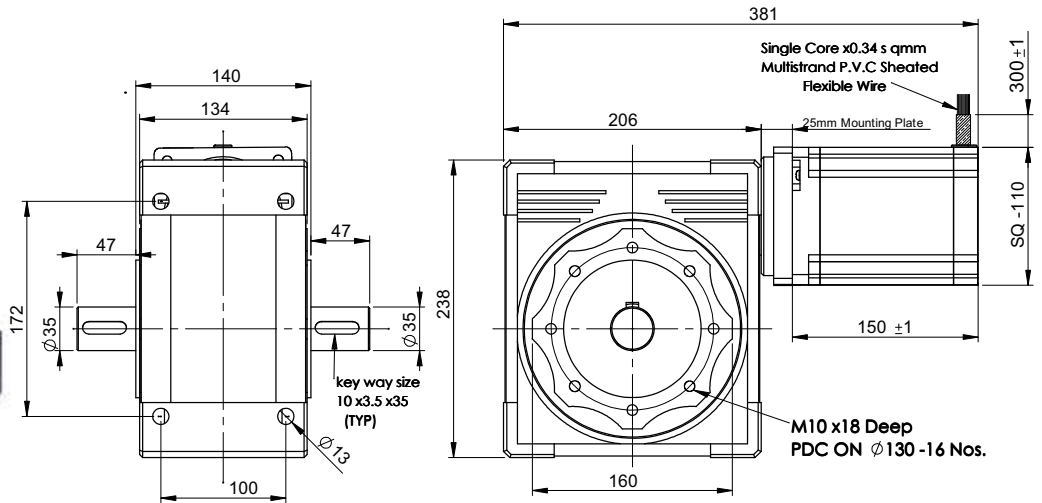
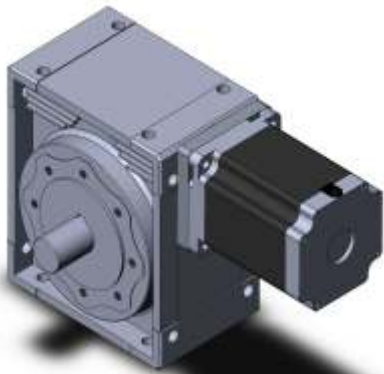
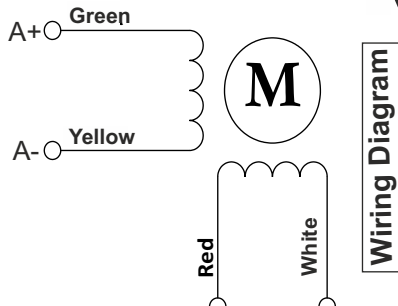


**SPECIFICATION SHEET**  
**Bholanath**

**STEPPER MOTOR**  
**BH 110 SH 150 - 6504HL -10**  
**HIGH TORQUE HYBRID**

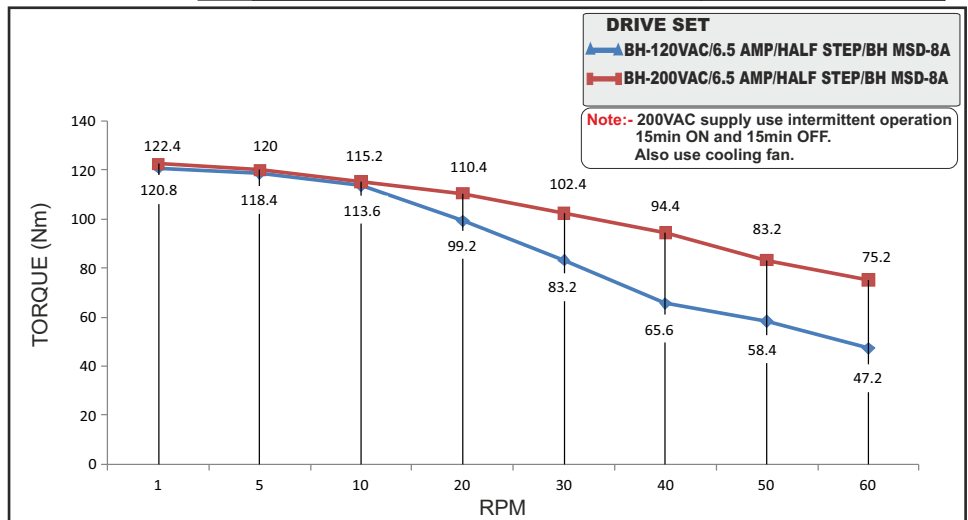


**TECHNICAL DATA**



SPECIFICATION BH 110 SH 150 - 6504HL-10			
	MODEL	Bipolar	
1	Rated Voltage	V	6.5
2	Current / Phase	A	6.5
3	Resistance / Phase	± 10% Ω	1
4	Inductance / Phase	± 20% mH	15.89
5	Holding Torque	Nm	22
6	Rotor Inertia of motor	G-CM <sup>2</sup>	10900
7	Weight with worm gear	KG.	22
8	No of Lead	N <sup>0</sup>	4
9	Operating Voltage	VAC	120 - 200

CHARACTERISTICS
Step Angle - 1.8°
Step Angle Accuracy - ± 3 Arc Minute
Dimensions - Refer drawing
Protection Class - DIN40050 - Ip30
Insulation Class - Class 155
Ambient Temperature - - 20°C + 50°C
Temperature Rise - 80°C Max. ( Rated Current Phase 2 ON )
Insulation Resistance 100 M Ohms Min.500 VDC
Operation Temperature -10°C To 40°C
Dielectric Strength 1800 VAC For One Minute
Weight with Gear box - 22 Kg
Holding Torque with gear Box - 220.0 Nm (2200Kgcm)
Gear Box Ratio - 20:1
Backlash ≤0.7 Degree



STEPPER MOTOR - BH 110 SH 150 - 6504HL-10



**Bholanath Precision Engineering Pvt.Ltd.**

11,Kembros Ind.Estate , Sonapur Lane , Bhandup (W),Mumbai - 400078.  
Telefax/Phone : 25662856/25664338/67993260 Email : support@bholanath.in  
Mobile No : 9920903825/9821671733/9930514603/9819515543/9323166582.