

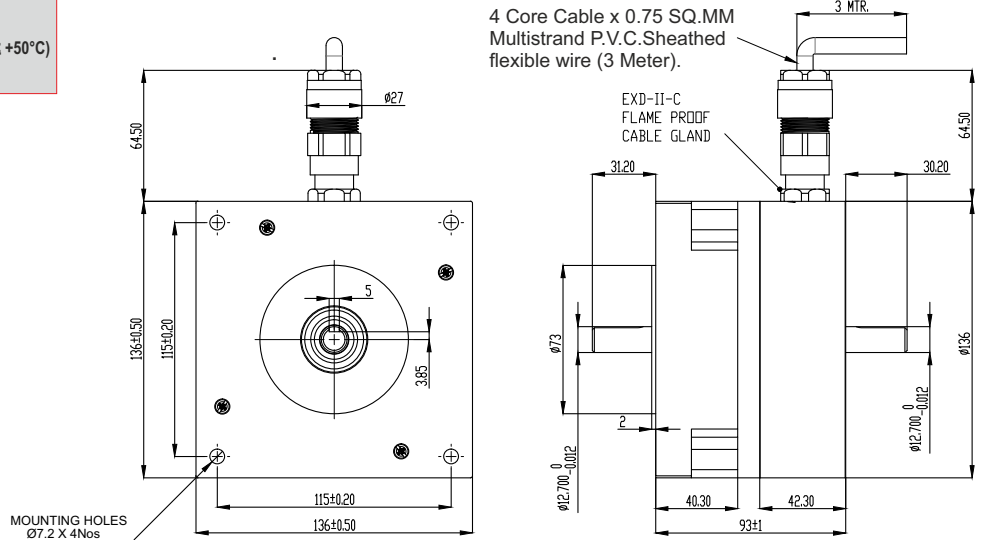
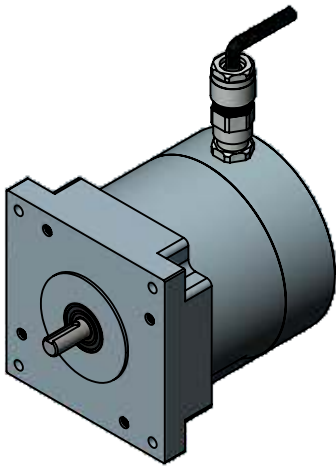
SPECIFICATION SHEET
Bholanath

STEPPER MOTOR
BH86 SH 93 - 2004AKS-FLP
HIGH TORQUE HYBRID

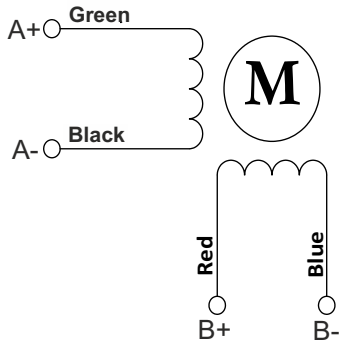


Flame Proof Standard:-

CLASS :- 1, ZONE :- 1, Ex db (IIA/IIB/IIIC) T6 Gb(-20°C ≤ Ta ≤ +50°C)
INGRESS PROTECTION:- IP 64



TECHNICAL DATA

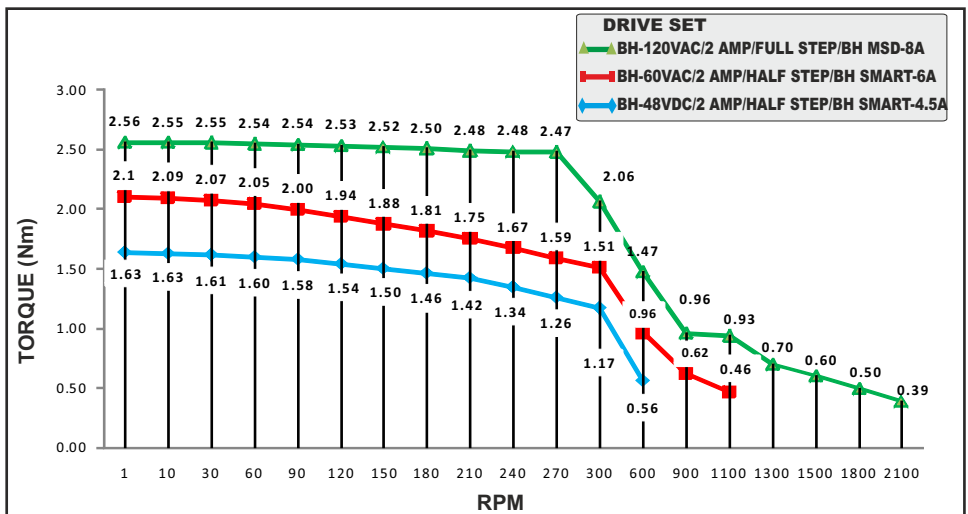


Wiring Diagram

SPECIFICATION BH86SH93 - 2004 AKS-FLP			
	MODEL		Bipolar
1	Rated Voltage	V	3.76
2	Current / Phase	A	2
3	Resistance / Phase	$\pm 10\% \Omega$	1.88
4	Inductance / Phase	$\pm 20\% \text{mH}$	10.5
5	Holding Torque	Nm	2.74
6	Rotor Inertia	G-CM ²	1000
7	Weight	KG.	5.2 KG \pm 0.1
8	No of Lead	N ⁰	4
9	Operating Voltage	VDC	48 - 170
9	Operating Voltage	VAC	34 - 120

CHARACTERISTICS

Step Angle - 1.8°
Step Angle Accuracy - ± 3 Arc Minute
Insulation Class - H
Ambient Temperature - -20°C + 50°C
Temperature Rise - 80°C Max. (Rated Current Phase 2 ON)
Insulation Resistance 100 M Ohms Min.500 VDC
Dielectric Strength 820 VAC For One Minute
Shaft Radial Play 0.02 Max. Play (450 G Load)
Shaft Axial Play 0.08 Max. Play (450 G Load)
Max.Radial Force 220 N (20MM From Front Flange)
Max.Axial Force 60 N



STEPPER MOTOR - BH86SH93-2004AKS-FLP



COMMITTED TO PRECISION

BHOLANATH COOL STEPPERS™

Bholanath Precision Engineering Pvt.Ltd.

11,Kembros Ind.Estate , Sonapur Lane , Bhandup (W),Mumbai - 400078.

Telefax/Phone : 25662856/25664338/67993260 Email : support@bholanath.in

Mobile No : 9920903825/9821671733/9930514603/9819515543/9323166582.