

# SPECIFICATION SHEET

## Bholanath

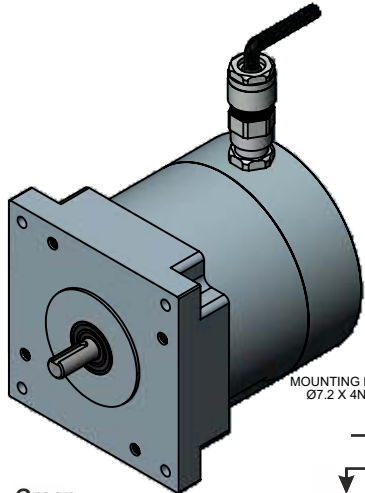
# STEPPER MOTOR

## BH86 SH 184 - 6204AKS-FLP

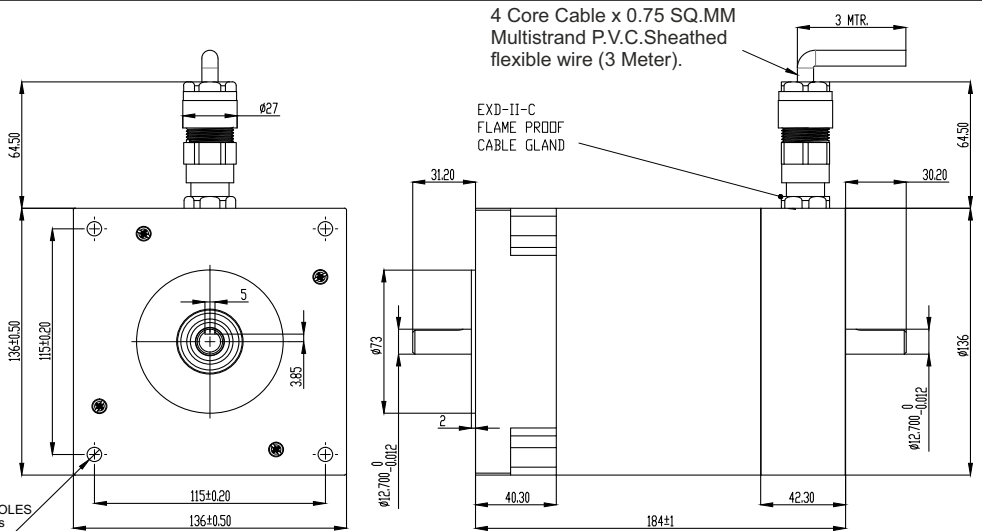
### HIGH TORQUE HYBRID



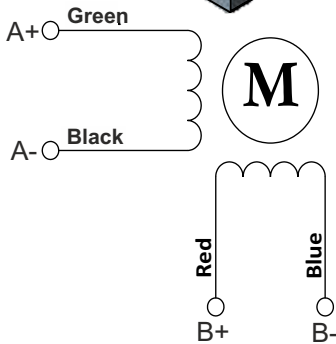
**Flame Proof Standard:-**  
 CLASS :- 1 , ZONE :- 1 , Ex db (IIA/IIb/IIc) T6 Gb(-20°C ≤ Ta ≤ +50°C)  
 INGRESS PROTECTION:- IP 64



MOUNTING HOLES  
 Ø7.2 X 4Nos



## TECHNICAL DATA

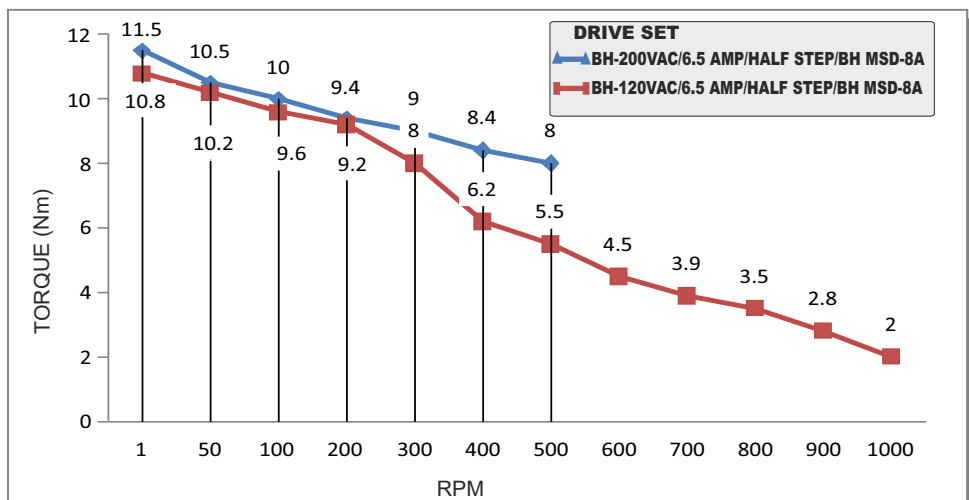


Wiring Diagram

SPECIFICATION		BH 86SH 184 - 6204 AKS-FLP	
	MODEL	Bipolar	
1	Rated Voltage	V	5.27
2	Current / Phase	A	6.2
3	Resistance / Phase	± 10% Ω	0.85
4	Inductance / Phase	± 20% mH	9.4
5	Holding Torque	Nm	17.55
6	Rotor Inertia	G-CM <sup>2</sup>	5500
7	Weight	KG.	10 KG ± 0.1
8	No of Lead	N <sup>0</sup>	4
9	Operating Voltage	VDC	48 - 170
10	Operating Voltage	VAC	34 - 120

## CHARACTERISTICS

Step Angle - 1.8°
Step Angle Accuracy - ± 3 Arc Minute
Insulation Class - H
Ambient Temperature - - 20°C + 50°C
Temperature Rise - 80°C Max. ( Rated Current Phase 2 ON )
Insulation Resistance 100 M Ohms Min.500 VDC
Dielectric Strength 820 VAC For One Minute
Shaft Radial Play 0.02 Max. Play ( 450 G Load )
Shaft Axial Play 0.08 Max. Play ( 450 G Load )
Max.Radial Force 220 N ( 20MM From Front Flange )
Max.Axial Force 60 N



STEPPER MOTOR - BH86SH184-6204AKS-FLP



# Bholanath Precision Engineering Pvt.Ltd.

11, Kembros Ind.Estate , Sonapur Lane , Bhandup (W), Mumbai - 400078.  
 Telefax/Phone : 25662856/25664338/67993260 Email : support@bholanath.in  
 Mobile No : 9920903825/9821671733/9930514603/9819515543/9323166582.