

**SPECIFICATION SHEET**  
**Bholanath**

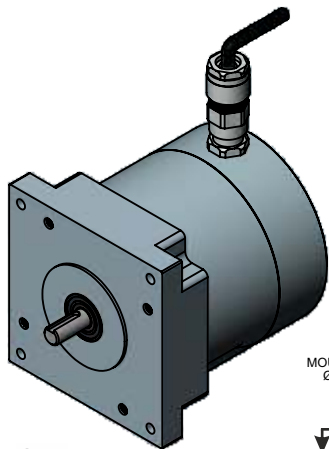
**STEPPER MOTOR**  
**BH86 SH 124 - 4004AKS-FLP**  
**HIGH TORQUE HYBRID**



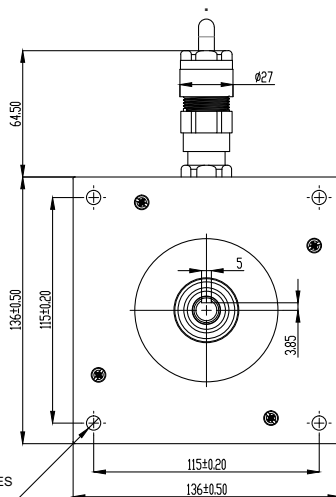
COMMITTED TO PRECISION

**Flame Proof Standard:-**

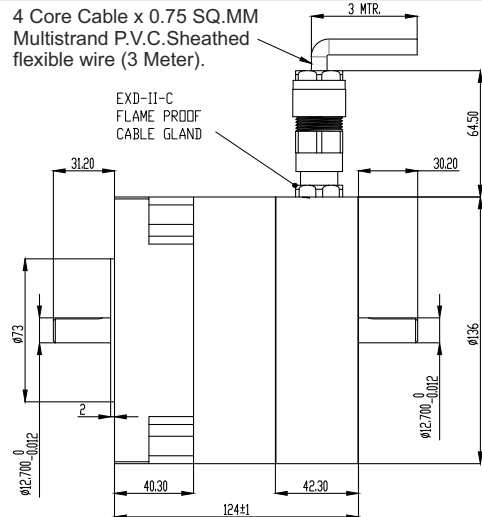
CLASS :- 1, ZONE :- 1, Ex db (IIA/IIB/IIIC) T6 Gb(-20°C ≤ Ta ≤ +50°C)  
INGRESS PROTECTION:- IP 64



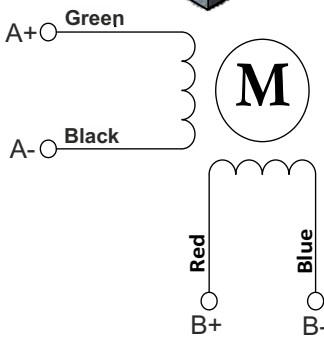
MOUNTING HOLES  
Ø7.2 X 4Nos



4 Core Cable x 0.75 SQ.MM  
Multistrand P.V.C.Sheathed  
flexible wire (3 Meter).



**TECHNICAL DATA**

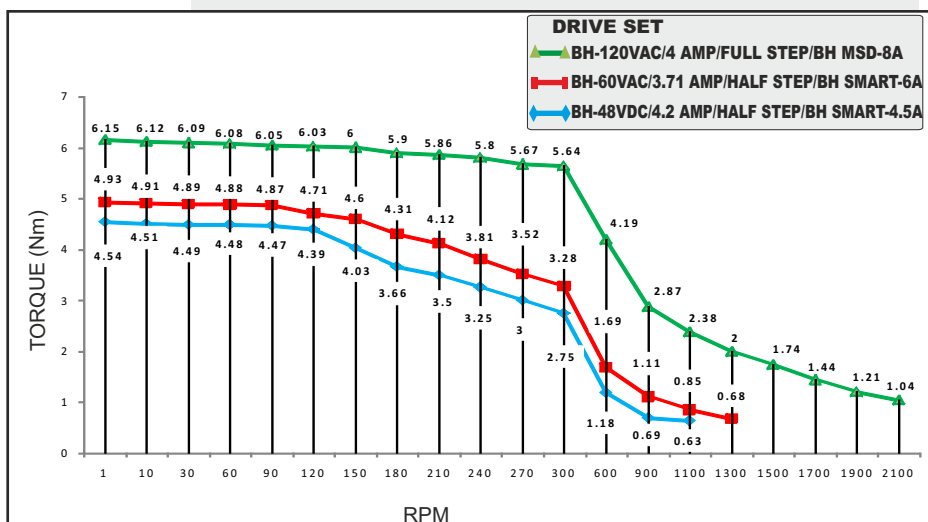


Wiring Diagram

SPECIFICATION BH86SH124 - 4004 AKS-FLP			
MODEL	Bipolar		
1	Rated Voltage	V	3.8
2	Current / Phase	A	4
3	Resistance / Phase	± 10% Ω	0.95
4	Inductance / Phase	± 20% mH	6.8
5	Holding Torque	Nm	7.44
6	Rotor Inertia	G-CM <sup>2</sup>	2700
7	Weight	KG.	6.9 KG ± 0.1
8	No of Lead	N <sup>0</sup>	4
9	Operating Voltage	VDC	48 - 170
10	Operating Voltage	VAC	34 - 120

**CHARACTERISTICS**

Step Angle - 1.8°
Step Angle Accuracy - ± 3 Arc Minute
Insulation Class - H
Ambient Temperature - - 20°C + 50°C
Temperature Rise - 80°C Max. ( Rated Current Phase 2 ON )
Insulation Resistance 100 M Ohms Min.500 VDC
Dielectric Strength 820 VAC For One Minute
Shaft Radial Play 0.02 Max. Play ( 450 G Load )
Shaft Axial Play 0.08 Max. Play ( 450 G Load )
Max.Radial Force 220 N ( 20MM From Front Flange )
Max.Axial Force 60 N



**STEPPER MOTOR - BH86SH124-4004AKS-FLP**



COMMITTED TO PRECISION

BHOLANATH COOL STEPPERS™

**Bholanath Precision Engineering Pvt.Ltd.**

11,Kembros Ind.Estate , Sonapur Lane , Bhandup (W),Mumbai - 400078.

Telefax/Phone : 25662856/25664338/67993260 Email : support@bholanath.in

Mobile No : 9920903825/9821671733/9930514603/9819515543/9323166582.