

SPECIFICATION SHEET
Bholanath

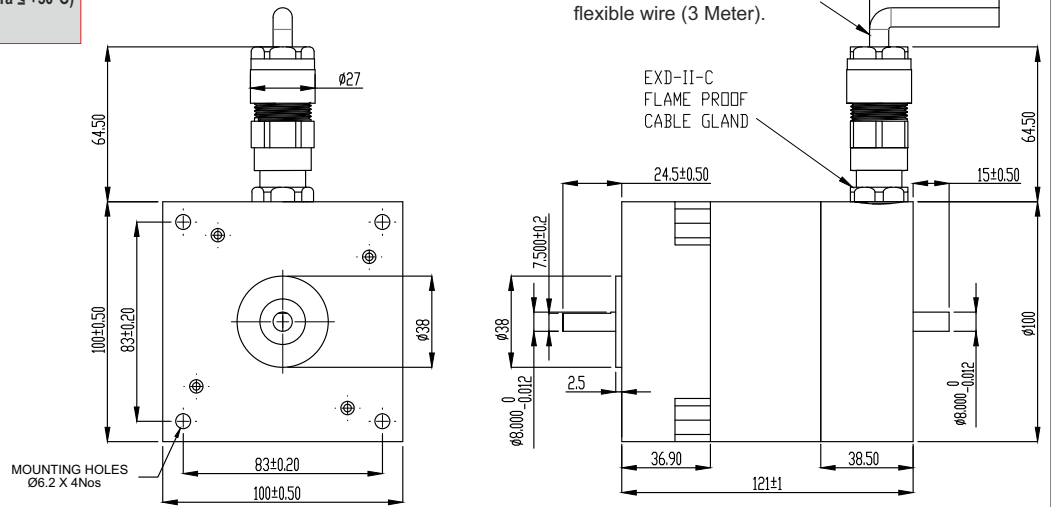
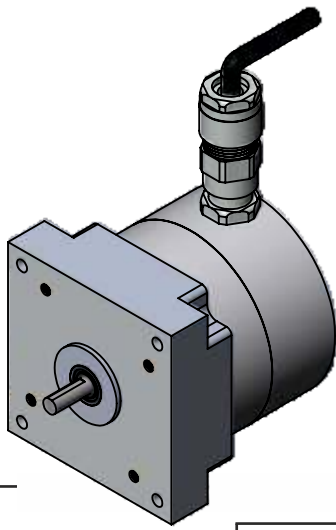
STEPPER MOTOR
BH60 SH 121 - 4004AF-FLP
HIGH TORQUE HYBRID



Flame Proof Standard:-

CLASS :- 1, ZONE :- 1, Ex db (IIA/IIIB/IIIC) T6 Gb (-20°C ≤ Ta ≤ +50°C)
INGRESS PROTECTION:- IP 64

4 Core Cable x 0.41 SQ.MM
Multistrand P.V.C.Sheathed
flexible wire (3 Meter).



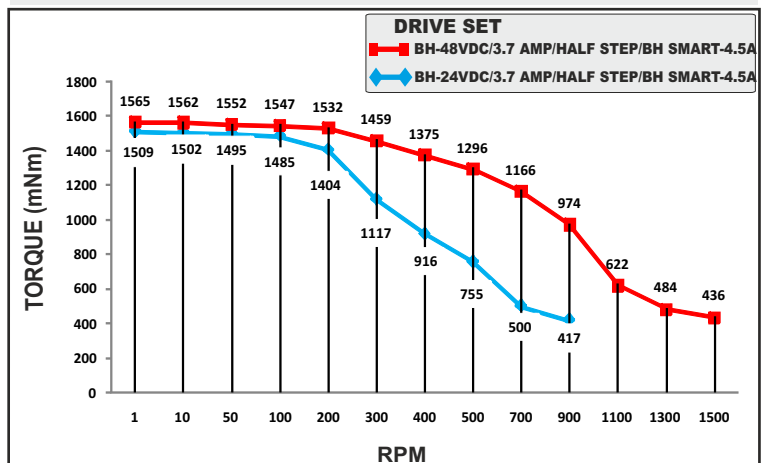
TECHNICAL DATA

CHARACTERISTICS

Step Angle - 1.8 ⁰
Step Angle Accuracy - ± 3 Arc Minute
Insulation Class - H
Protection Class - DIN 40050 - IP 64
Ambient Temperature - 20 ⁰ C + 50 ⁰ C
Temperature Rise - 80 ⁰ C Max. (Rated Current Phase 2 ON)
Insulation Resistance 100 M Ohms Min.500 VDC
Dielectric Strength 500 VAC For One Minute
Shaft Radial Play 0.02 Max. Play (450 G Load)
Shaft Axial Play 0.08 Max. Play (450 G Load)
Max.Radial Force 28 N (20MM From Front Flange)
Max.Axial Force 10 N

SPECIFICATION BH60SH121 - 4004 AF-FLP

MODEL	Bipolar	
1 Rated Voltage	V	2.76
2 Current / Phase	A	4
3 Resistance / Phase	± 10% Ω	0.69
4 Inductance / Phase	± 20% mH	2.65
5 Holding Torque	Nm	3.1
6 Rotor Inertia	G-CM ²	840
7 Weight	KG.	3.5 KG ± 0.1
8 No of Lead	N ⁰	4
9 Operating Voltage	VDC	24 - 48



STEPPER MOTOR -BH60SH121-4004AF-FLP



Bholanath Precision Engineering Pvt.Ltd.

11,Kembros Ind.Estate , Sonapur Lane , Bhandup (W),Mumbai - 400078.

Telefax/Phone : 25662856/25664338/67993260 Email : support@bholanath.in

Mobile No : 9920903825/9821671733/9930514603/9819515543/9323166582.