

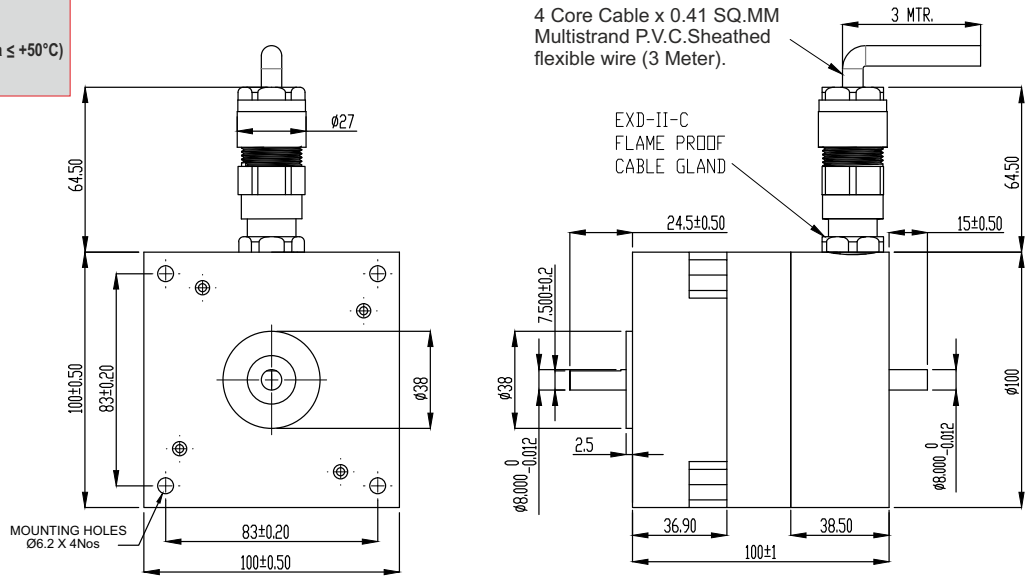
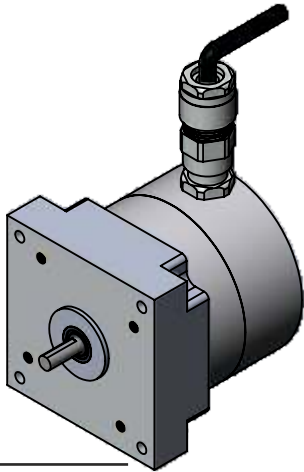
**SPECIFICATION SHEET**  
**Bholanath**

**STEPPER MOTOR**  
**BH60 SH 100 - 2804 AF - FLP**  
**HIGH TORQUE HYBRID**



**Flame Proof Standard:-**

CLASS :- 1 , ZONE :- 1 , Ex db (IIA/IIB/IIC) T6 Gb(-20°C ≤ Ta ≤ +50°C)  
INGRESS PROTECTION:- IP 64



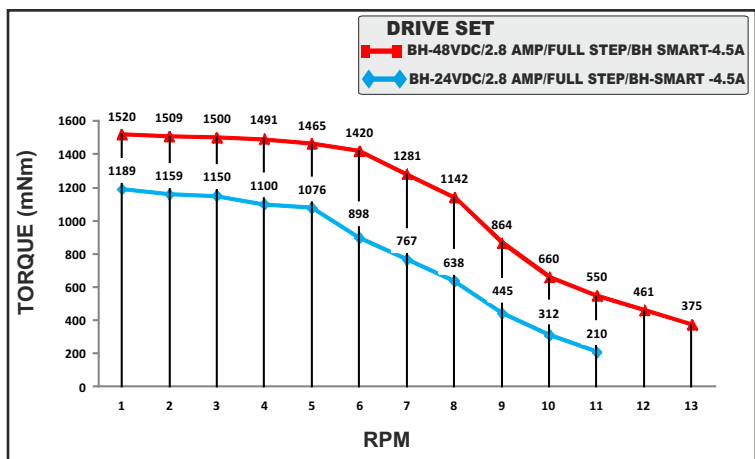
**TECHNICAL DATA**

**CHARACTERISTICS**

Step Angle - 1.8 <sup>0</sup>
Step Angle Accuracy - ± 3 Arc Minute
Insulation Class - H
Protection Class - DIN 40050 - IP 64
Ambient Temperature - 20 <sup>0</sup> C + 50 <sup>0</sup> C
Temperature Rise - 80 <sup>0</sup> C Max. ( Rated Current Phase 2 ON )
Insulation Resistance 100 M Ohms Min.500 VDC
Dielectric Strength 500 VAC For One Minute
Shaft Radial Play 0.02 Max. Play ( 450 G Load )
Shaft Axial Play 0.08 Max. Play ( 450 G Load )
Max.Radial Force 75 N ( 20MM From Front Flange )
Max.Axial Force 15 N

**SPECIFICATION BH60SH100 - 2804 AF - FLP**

	MODEL	Bipolar
1	Rated Voltage	V 3.36
2	Current / Phase	A 2.8
3	Resistance / Phase	± 10% Ω 1.2
4	Inductance / Phase	± 20% mH 4.2
5	Holding Torque	Nm 2.1
6	Rotor Inertia	G-CM <sup>2</sup> 570
7	Weight	KG. 2.8 KG ± 0.1
8	No of Lead	N <sup>0</sup> 4
9	Operating Voltage	VDC 24 - 48



**MOTOR MODEL - BH60SH100-2804AF-FLP**



**Bholanath Precision Engineering Pvt.Ltd.**

COMMITTED TO PRECISION

11,Kembros Ind.Estate , Sonapur Lane , Bhandup (W),Mumbai - 400078.

BHOLANATH COOL STEPPERS™

Telefax/Phone : 25662856/25664338/67993260 Email : support@bholanath.in

Mobile No : 9920903825/9821671733/9930514603/9819515543/9323166582.