

SPECIFICATION SHEET

Bholanath

STEPPER MOTOR

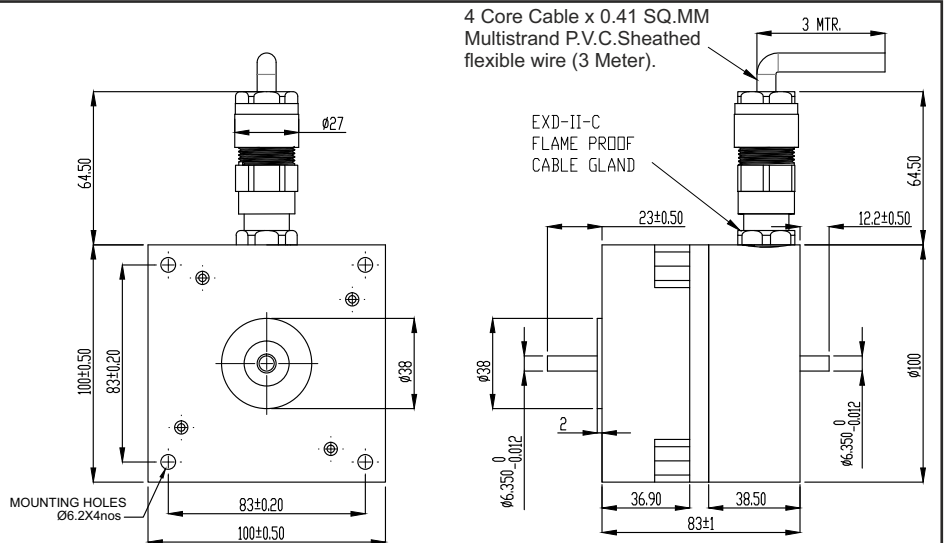
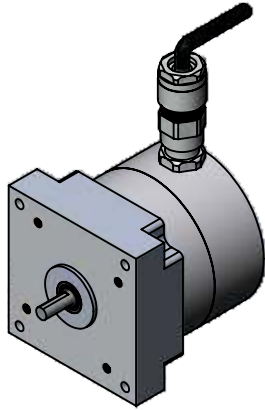
BH 57 SH 83-2804 A - FLP

HIGH TORQUE HYBRID



Flame Proof Standard:-

CLASS :- 1, ZONE :- 1, Ex db (IIA/IIB/IIIC) T6 Gb(-20°C ≤ Ta ≤ +50°C)
INGRESS PROTECTION:- IP 64



TECHNICAL DATA

CHARACTERISTICS

Step Angle - 1.8 ⁰
Step Angle Accuracy - ± 3 Arc Minute
Insulation Class - H
Protection Class - DIN 40050 - IP 64
Ambient Temperature - 20 ⁰ C + 50 ⁰ C
Temperature Rise - 80 ⁰ C Max. (Rated Current Phase 2 ON)
Insulation Resistance 100 M Ohms Min.500 VDC
Dielectric Strength 500 VAC For One Minute
Shaft Radial Play 0.02 Max. Play (450 G Load)
Shaft Axial Play 0.08 Max. Play (450 G Load)
Max.Radial Force 28 N (20MM From Front Flange)
Max.Axial Force 10 N

SPECIFICATION

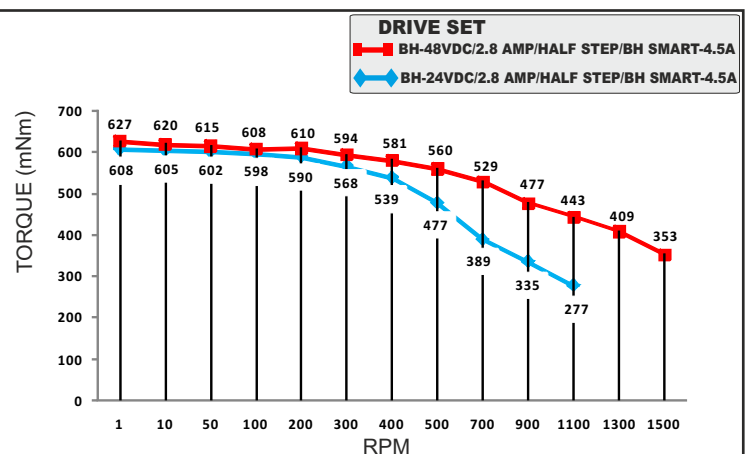
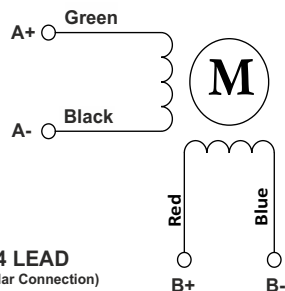
BH57SH83 - 2804 A - FLP

MODEL

Bipolar

	MODEL		Bipolar
1	Rated Voltage	V	2.46
2	Current / Phase	A	2.8
3	Resistance / Phase	± 10% Ω	0.88
4	Inductance / Phase	± 20% mH	2.2
5	Holding Torque	Nm	1.01
6	Rotor Inertia	G-CM ²	275
7	Weight	KG.	2.35 KG ± 0.1
8	No of Lead	N ⁰	4
9	Operating Voltage	VDC	24 - 48

Wiring Diagram



MOTOR MODEL - BH57SH83-2804A - FLP



Bholanath Precision Engineering Pvt.Ltd.

11, Kembros Ind.Estate, Sonapur Lane, Bhandup (W), Mumbai - 400078.

Telefax/Phone : 25662856/25664338/67993260 Email : support@bholanath.in

Mobile No : 9920903825/9821671733/9930514603/9819515543/9323166582.