

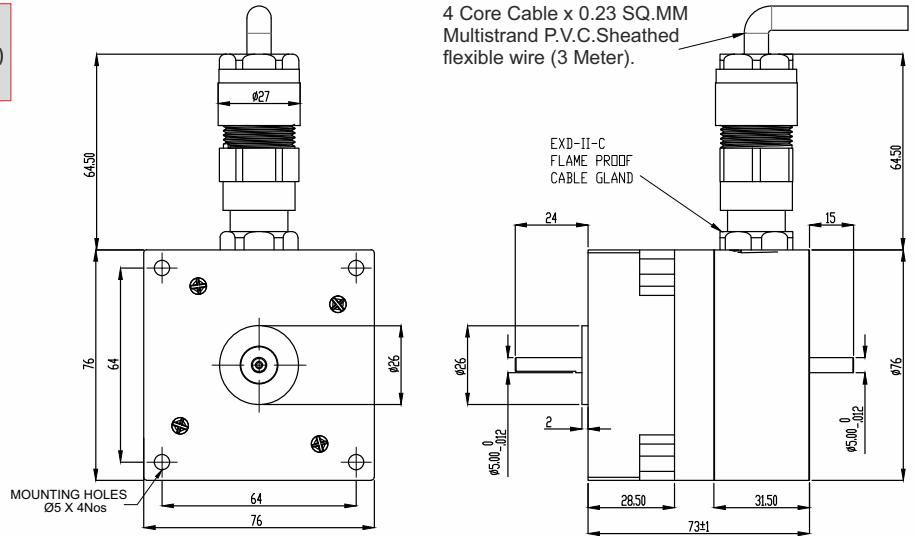
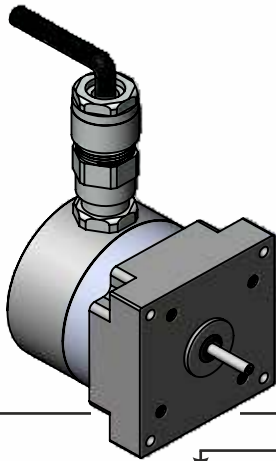
SPECIFICATION SHEET
Bholanath

STEPPER MOTOR
BH 42 SH 73-1504 FLP
HIGH TORQUE HYBRID



Flame Proof Standard:-

CLASS :- 1, ZONE :- 1, Ex db (IIA/IIb/IIc) T6 Gb (-20°C ≤ Ta ≤ +50°C)
INGRESS PROTECTION:- IP 64



TECHNICAL DATA

CHARACTERISTICS

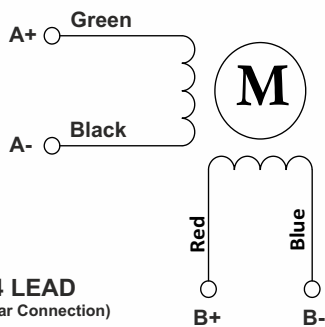
Step Angle - 1.8°
Step Angle Accuracy - ± 3 Arc Minute
Insulation Class - H
Ambient Temperature - - 20°C + 50°C
Temperature Rise - 80°C Max. (Rated Current Phase 2 ON)
Insulation Resistance 100 M Ohms Min.500 VDC
Dielectric Strength 500 VAC For One Minute
Shaft Radial Play 0.02 Max. Play (450 G Load)
Shaft Axial Play 0.08 Max. Play (450 G Load)
Max.Radial Force 28 N (20MM From Front Flange)
Max.Axial Force 10 N

SPECIFICATION

BH42SH73 - 1504FLP

MODEL	Bipolar	
1 Rated Voltage	V	4.86
2 Current / Phase	A	1.5
3 Resistance / Phase	± 10% Ω	3.2
4 Inductance / Phase	± 20% mH	6
5 Holding Torque	Nm	0.7
6 Rotor Inertia	G-CM ²	84
7 Weight	KG.	1.4 KG ± 0.1
8 No of Lead	N ⁰	4
9 Operating Voltage	VDC	12 - 24

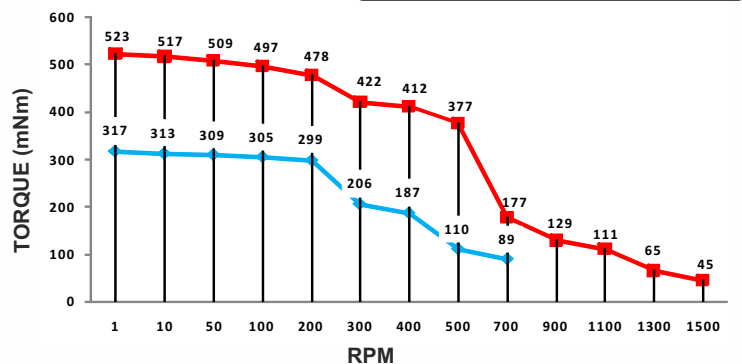
Wiring Diagram



4 LEAD
(Bipolar Connection)

DRIVE SET

— BH-24VDC/1.5 AMP/FULL STEP/BH SMART-2A
— BH-12VDC/1.5 AMP/FULL STEP/BH SMART-2A



MOTOR MODEL - BH 42 SH73-1504FLP



Bholanath Precision Engineering Pvt.Ltd.

11,Kembros Ind.Estate , Sonapur Lane , Bhandup (W),Mumbai - 400078.

Telefax/Phone : 25662856/25664338/67993260 Email : support@bholanath.in

Mobile No : 9920903825/9821671733/9930514603/9819515543/9323166582.