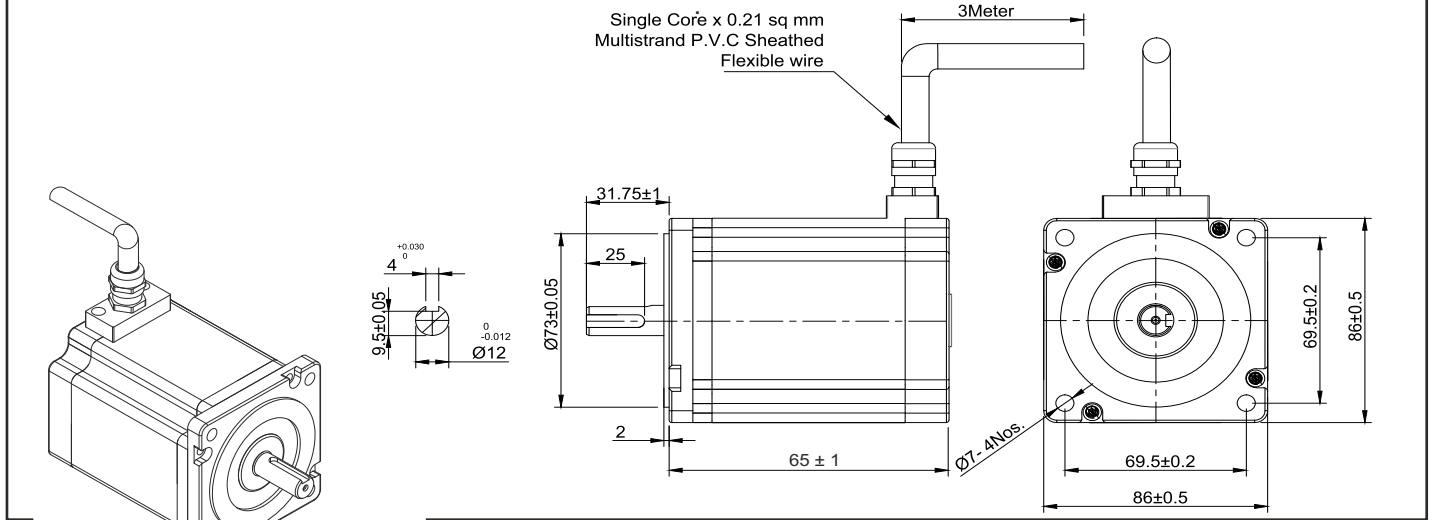
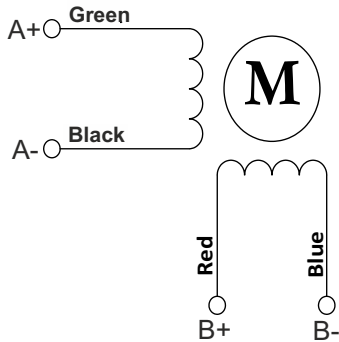


**IP65 PROTECTION AGAINST CONTACT AND INFILTRATION OF WATER AND DIRT**



**TECHNICAL DATA**

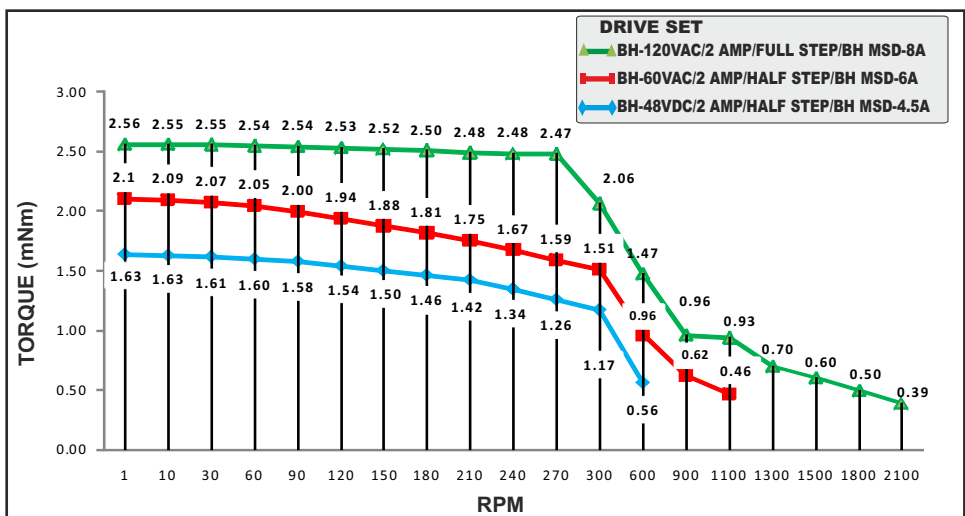


**Wiring Diagram**

SPECIFICATION BH86SH65 - 2004 AKS-CE			
	MODEL		Bipolar
1	Rated Voltage	V	3.76
2	Current / Phase	A	2
3	Resistance / Phase	± 10% Ω	1.88
4	Inductance / Phase	± 20% mH	10.5
5	Holding Torque	Nm	2.74
6	Rotor Inertia	G-CM <sup>2</sup>	1000
7	Weight	KG.	1.85
8	No of Lead	N <sup>0</sup>	4
9	Operating Voltage	VDC	48 - 170
9	Operating Voltage	VAC	34 - 120

**CHARACTERISTICS**

Step Angle - 1.8°
Step Angle Accuracy - ± 3Arc Minute
Insulation Class - H
Ambient Temperature - - 20°C + 50°C
Temperature Rise - 80°C Max. ( Rated Current Phase 2 ON )
Insulation Resistance 100 M Ohms Min.500 VDC
Dielectric Strength 820 VAC For One Minute
Shaft Radial Play 0.02 Max. Play ( 450 G Load )
Shaft Axial Play 0.08 Max. Play ( 450 G Load )
Max.Radial Force 220 N ( 20MM From Front Flange )
Max.Axial Force 60 N



**STEPPER MOTOR - BH86SH65-2004AKS-CE**