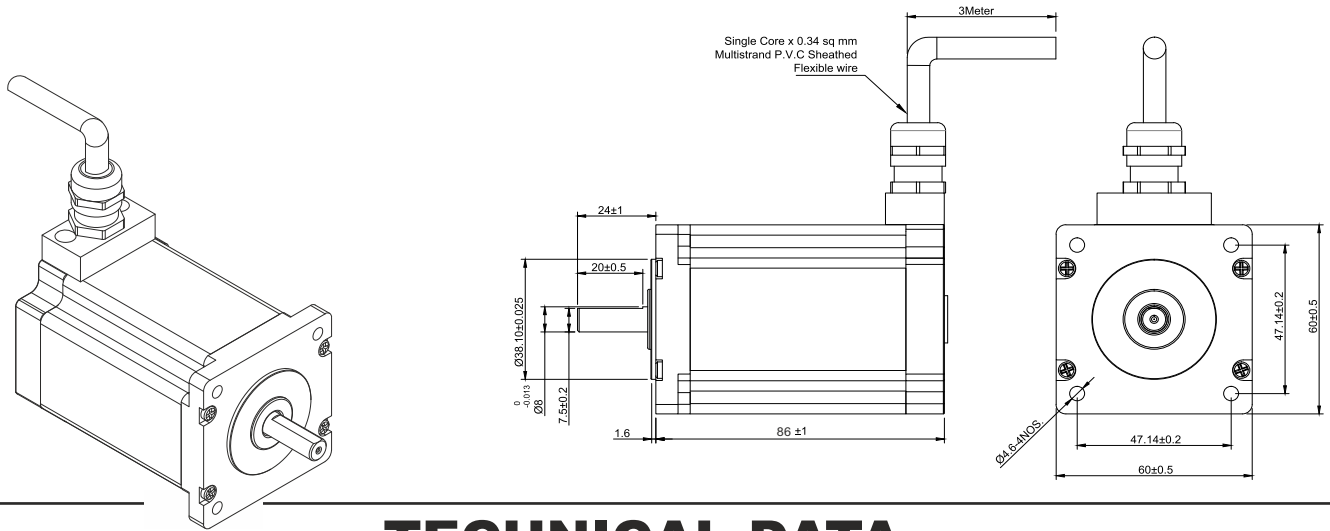


**SPECIFICATION SHEET**  
**Bholanath**

**STEPPER MOTOR**  
**BH60 SH 86 - 2804AF - CE**  
**HIGH TORQUE HYBRID**



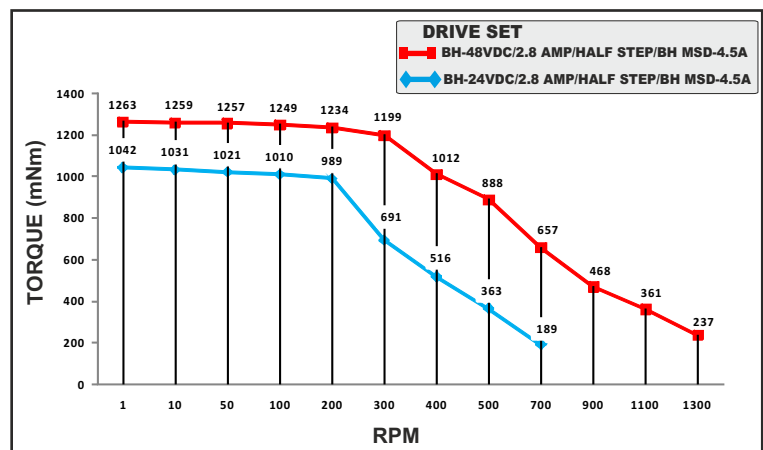
**TECHNICAL DATA**

**CHARACTERISTICS**

Step Angle - 1.8 <sup>0</sup>
Step Angle Accuracy - ± 3 Arc Minute
Insulation Class - H
Protection Class - DIN 40050 - IP 65
Ambient Temperature - 20 <sup>0</sup> C + 50 <sup>0</sup> C
Temperature Rise - 80 <sup>0</sup> C Max. ( Rated Current Phase 2 ON )
Insulation Resistance 100 M Ohms Min.500 VDC
Dielectric Strength 500 VAC For One Minute
Shaft Radial Play 0.02 Max. Play ( 450 G Load )
Shaft Axial Play 0.08 Max. Play ( 450 G Load )
Max.Radial Force 28 N ( 20MM From Front Flange )
Max.Axial Force 10 N

**SPECIFICATION BH60SH86 - 2804 AF - CE**

	MODEL		Bipolar
1	Rated Voltage	V	4.48
2	Current / Phase	A	2.8
3	Resistance / Phase	± 10% Ω	1.6
4	Inductance / Phase	± 20% mH	6.5
5	Holding Torque	Nm	3.1
6	Rotor Inertia	G-CM <sup>2</sup>	840
7	Weight	KG.	1.4
8	No of Lead	N <sup>0</sup>	4
9	Operating Voltage	VDC	24 - 42



**STEPPER MOTOR - BH60SH86-2804AF - CE**



**Bholanath Precision Engineering Pvt.Ltd.**

11,Kembros Ind.Estate , Sonapur Lane , Bhandup (W),Mumbai - 400078.  
Telefax/Phone : 25662856/25664338/67993260 Email : support@bholanath.in  
Mobile No : 9920903825/9821671733/9930514603/9819515543/9323166582.