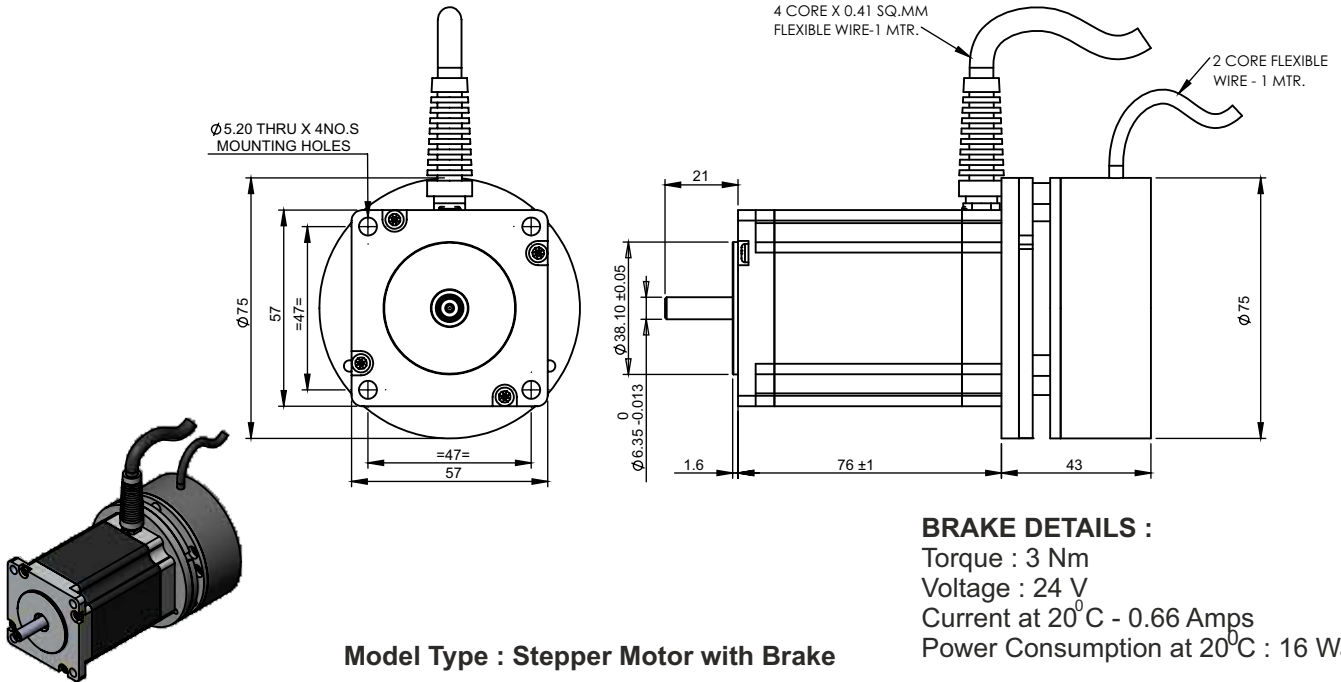


SPECIFICATION SHEET
Bholanath

STEPPER MOTOR
BH 57 SH 76 - 2804 BRK
HIGH TORQUE HYBRID



BRAKE DETAILS :
Torque : 3 Nm
Voltage : 24 V
Current at 20°C - 0.66 Amps
Power Consumption at 20°C : 16 Watts

Model Type : Stepper Motor with Brake

TECHNICAL DATA

CHARACTERISTICS

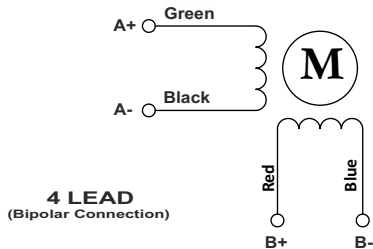
- Step Angle - 1.8°
- Step Angle Accuracy - ± 3 Arc Minute
- Insulation Class - H
- Ambient Temperature - (-20°C to +50°C)
- Temperature Rise - 80°C Max. (Rated Current Phase 2 ON)
- Insulation Resistance 100 M Ohms Min. 500 VDC
- Dielectric Strength 500 VAC For One Minute
- Shaft Radial Play 0.02 Max. Play (450 G Load)
- Shaft Axial Play 0.08 Max. Play (450 G Load)
- Max. Radial Force 75 N (20MM From Front Flange)
- Max. Axial Force 15 N

SPECIFICATION

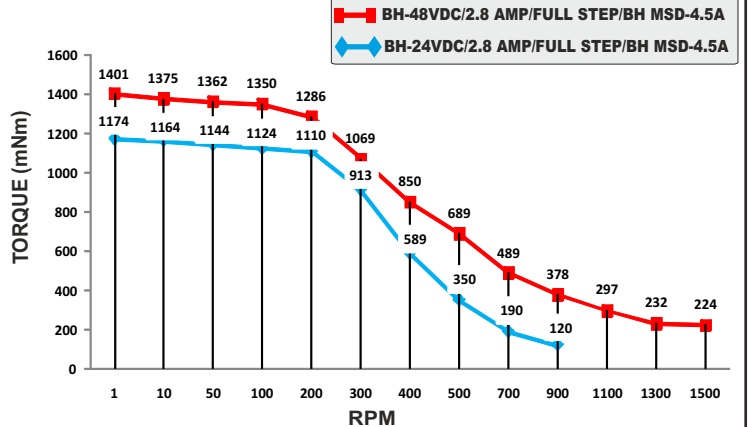
BH 57 SH 76- 2804 BRK

MODEL		Bipolar
1	Rated Voltage	V 3.36
2	Current / Phase	A 2.8
3	Resistance / Phase	$\pm 10\% \Omega$ 1.2
4	Inductance / Phase	$\pm 20\% \text{mH}$ 4.5
5	Holding Torque	Nm 1.89
6	Rotor Inertia	G-CM ² 480
7	Weight	KG. 1.70
8	No of Lead	N ^o 4
9	Operating Voltage	VDC 24 - 42

Wiring Diagram



DRIVE SET



Bholanath Precision Engineering Pvt.Ltd.

11, Kembros Ind. Estate, Sonapur Lane, Bhandup (W), Mumbai - 400078.
Telefax/Phone : 25662856/25664338/67993260 Email : support@bholanath.in
Mobile No : 9920903825/9821671733/9930514603/9819515543/9323166582.