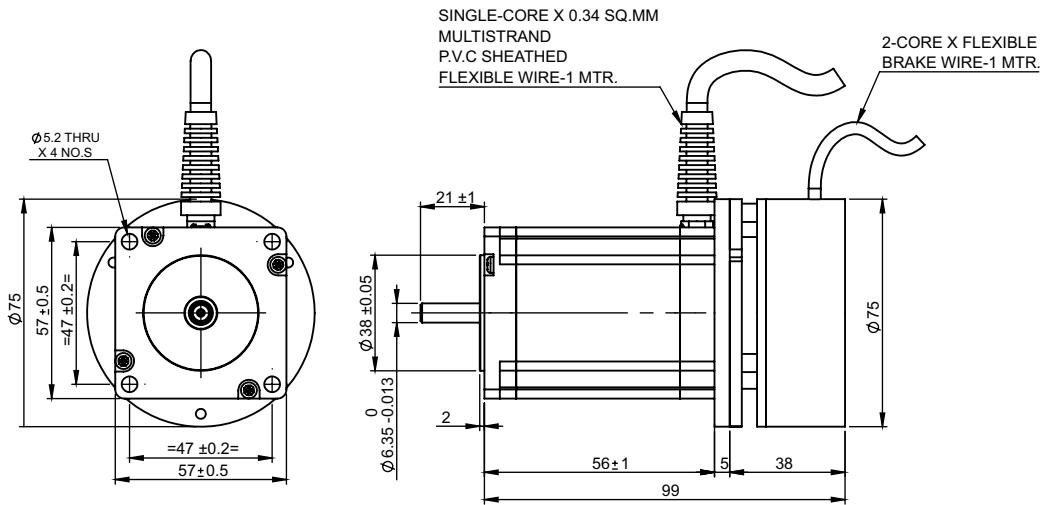
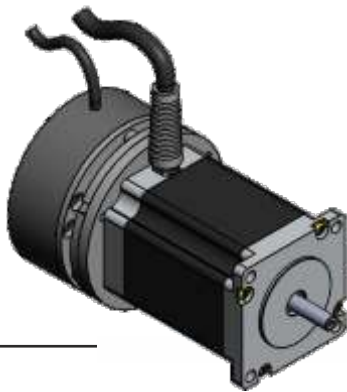


**SPECIFICATION SHEET**  
**Bholanath**

**STEPPER MOTOR**  
**BH 57 SH 56 - 2804 BRK**  
**HIGH TORQUE HYBRID**



**BRAKE DETAILS :**

Torque : 3 Nm  
Voltage : 24 V  
Current at 20°C - 0.66 Amps  
Power Consumption at 20°C : 16 Watts

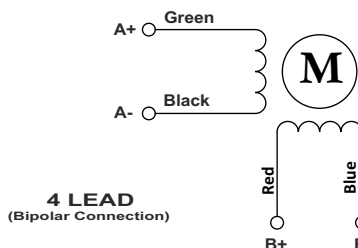
Model Type : Stepper Motor with Brake

**TECHNICAL DATA**

**CHARACTERISTICS**

- Step Angle - 1.8°
- Step Angle Accuracy -  $\pm 3$  Arc Minute
- Insulation Class - H
- Ambient Temperature - (- 20°C to + 50°C)
- Temperature Rise - 80°C Max. ( Rated Current Phase 2 ON )
- Insulation Resistance  
100 M Ohms Min.500 VDC
- Dielectric Strength  
500 VAC For One Minute
- Shaft Radial Play  
0.02 Max. Play ( 450 G Load )
- Shaft Axial Play  
0.08 Max. Play ( 450 G Load )
- Max.Radial Force  
75 N ( 20MM From Front Flange )
- Max.Axial Force  
15 N

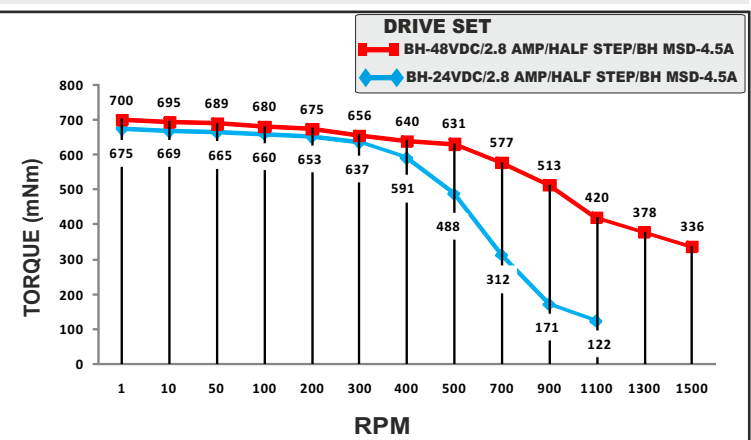
**Wiring Diagram**



**SPECIFICATION**

**BH 57 SH 56- 2804 BRK**

MODEL		Bipolar
1	Rated Voltage	V 2.8
2	Current / Phase	A 2.8
3	Resistance / Phase	$\pm 10\% \Omega$ 1.01
4	Inductance / Phase	$\pm 20\% \text{mH}$ 2.5
5	Holding Torque	Nm 1.26
6	Rotor Inertia	G-CM <sup>2</sup> 300
7	Weight	KG. 1.27
8	No of Lead	N° 4
9	Operating Voltage	VDC 12 - 24



Revision-02, Dated:- 12/04/2017



**Bholanath Precision Engineering Pvt.Ltd.**

11, Kembros Ind.Estate , Sonapur Lane , Bhandup (W), Mumbai - 400078.  
Telefax/Phone : 25662856/25664338/67993260 Email : support@bholanath.in  
Mobile No : 9920903825/9821671733/9930514603/9819515543/9323166582.