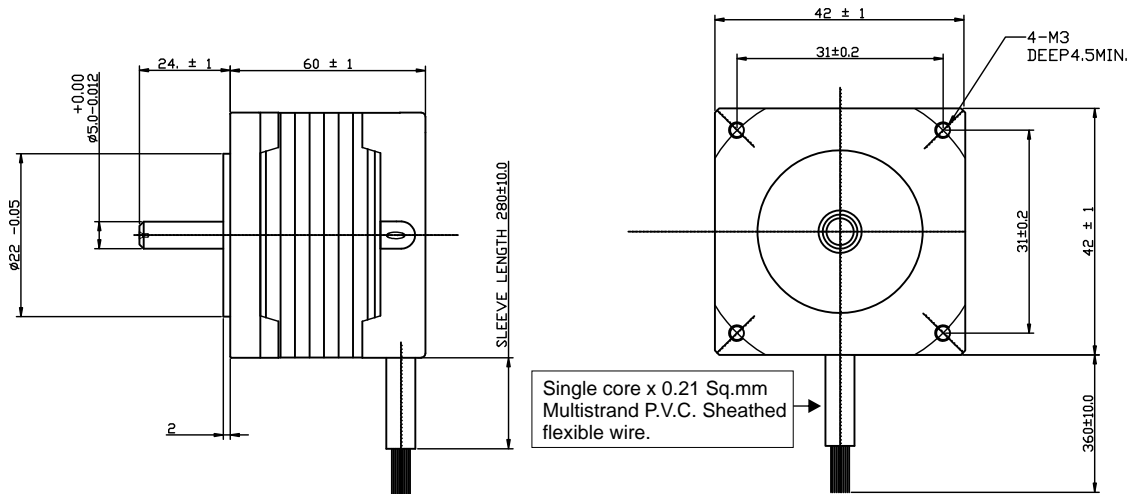


SPECIFICATION SHEET
Bholanath

STEPPER MOTOR
BH42 SH 60-1206 A
HIGH TORQUE HYBRID



TECHNICAL DATA

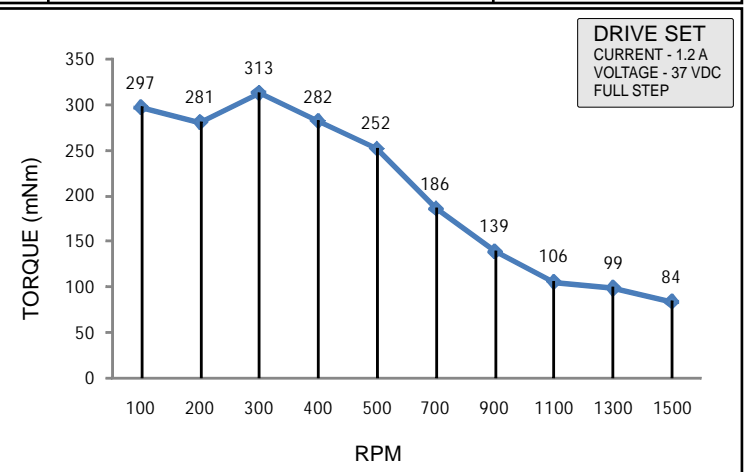
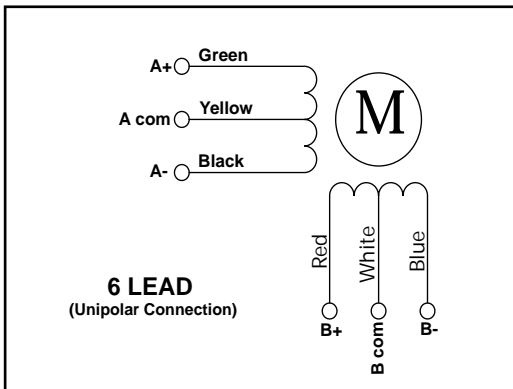
CHARACTERISTICS

Step Angle - 1.8°
Step Angle Accuracy - ± 5%
Insulation Class - H
Ambient Temperature - - 20°C + 50°C
Temperature Rise - 80°C Max. (Rated Current Phase 2 ON)
Insulation Resistance 100 M Ohms Min.500 VDC
Dielectric Strength 500 VAC For One Minute
Shaft Radial Play 0.02 Max. Play (450 G Load)
Shaft Axial Play 0.08 Max. Play (450 G Load)
Max.Radial Force 28 N (20MM From Front Flange)
Max.Axial Force 10 N

SPECIFICATION BH42SH60-1206A

MODEL	Unipolar		
1	Rated Voltage	V	7.2
2	Current / Phase	A	1.2
3	Resistance / Phase	± 10% Ω	6
4	Inductance / Phase	± 20% mH	4.3
5	Holding Torque	Nm	0.65
6	Rotor Inertia	G-CM ²	102
7	Weight	KG.	0.5
8	No of Lead	N ^o	6

Wiring Diagram



MOTOR MODEL - BH42 SH60-1206A



Bholanath Precision Engineering Pvt.Ltd.

11, Kembros Ind.Estate , Sonapur Lane , Bhandup (W), Mumbai - 400078.
 Telefax/Phone : 25662856/25664338/67993260 Email : support@bholanath.in
 Mobile No : 9920903825/9821671733/9930514603/9819515543/9323166582.