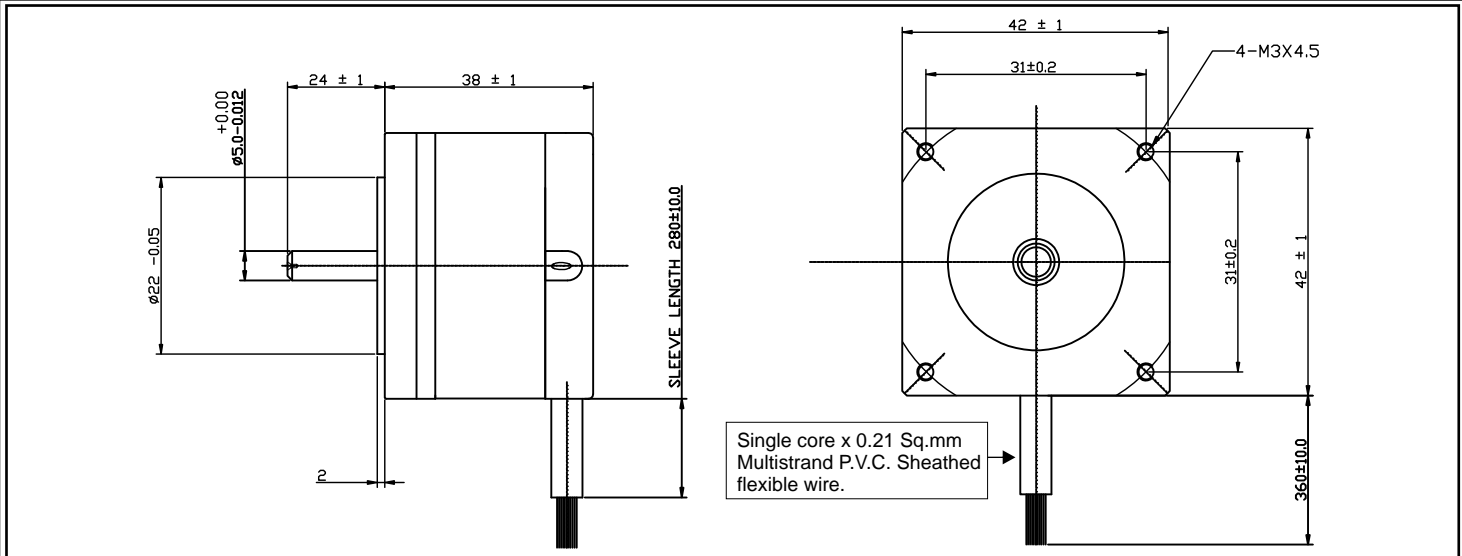


SPECIFICATION SHEET
Bholanath

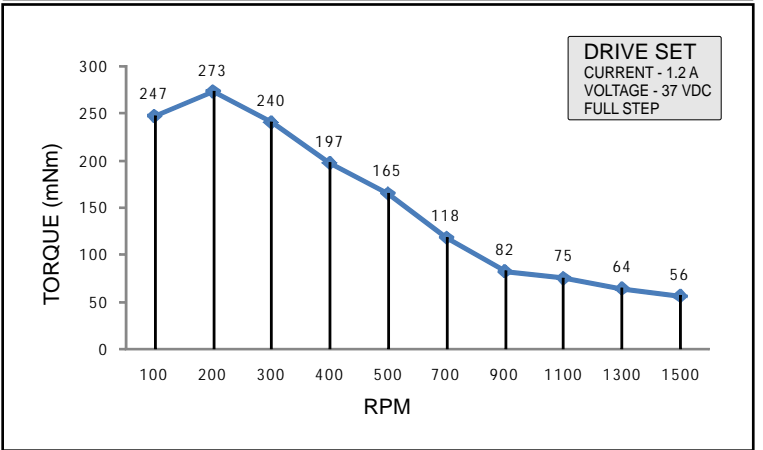
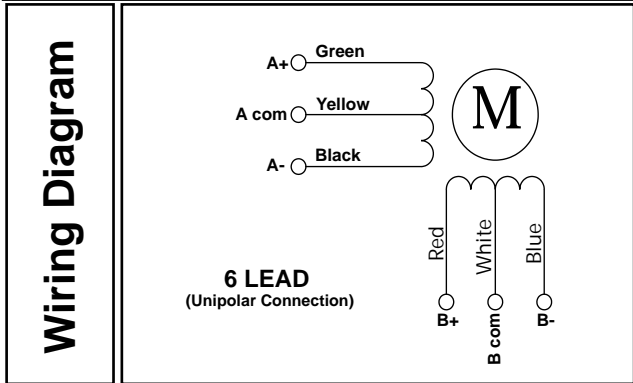
STEPPER MOTOR
BH 42 SH 38 - 1206A
HIGH TORQUE HYBRID



TECHNICAL DATA

CHARACTERISTICS
Step Angle - 1.8°
Step Angle Accuracy - ± 5%
Insulation Class - H
Ambient Temperature - - 20°C + 50°C
Temperature Rise - 80°C Max. (Rated Current Phase 2 ON)
Insulation Resistance 100 M Ohms Min.500 VDC
Dielectric Strength 500 VAC For One Minute
Shaft Radial Play 0.02 Max. Play (450 G Load)
Shaft Axial Play 0.08 Max. Play (450 G Load)
Max.Radial Force 28 N (20MM From Front Flange)
Max.Axial Force 10 N

SPECIFICATION	BH42SH38-1206A	
MODEL	Unipolar	
1 Rated Voltage	V	3.94
2 Current / Phase	A	1.2
3 Resistance / Phase ± 10%	Ω	3.28
4 Inductance / Phase ± 20%	mH	1.85
5 Holding Torque	Nm	0.259
6 Rotor Inertia	G-CM ²	54
7 Weight	KG.	0.277
8 No of Lead	N ^o	6



STEPPER MOTOR - BH42SH38-1206A



Bholanath Precision Engineering Pvt.Ltd.

11,Kembros Ind.Estate , Sonapur Lane , Bhandup (W),Mumbai - 400078.
 Telefax/Phone : 25662856/25664338/67993260 Email : support@bholanath.in
 Mobile No : 9920903825/9821671733/9930514603/9819515543/9323166582.