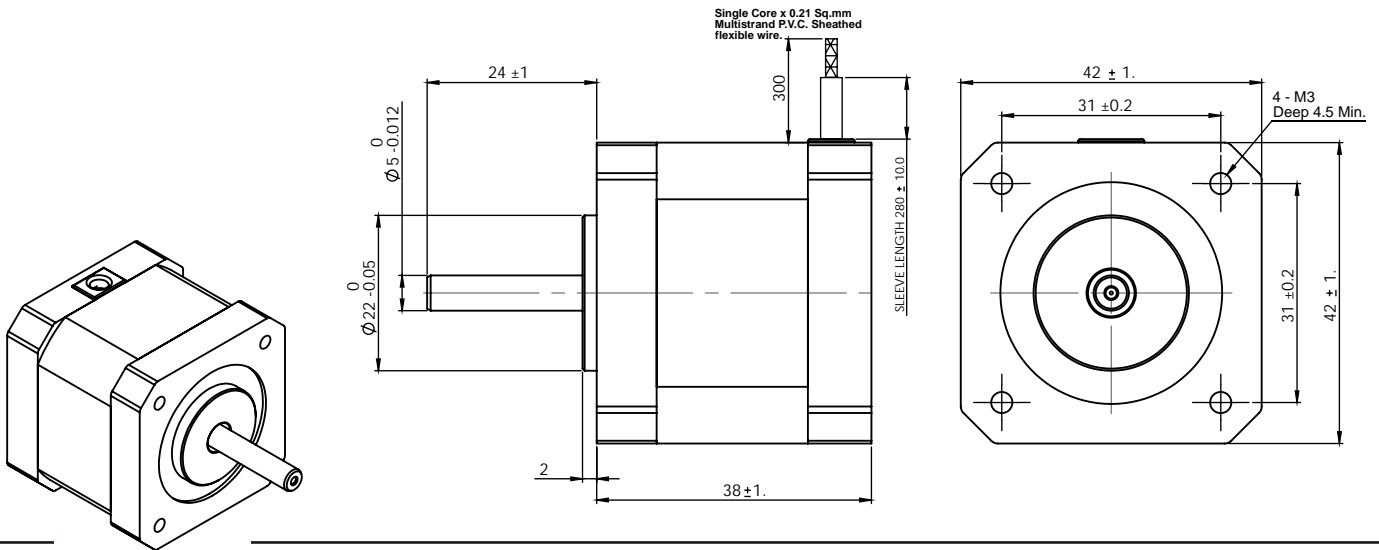


SPECIFICATION SHEET
Bholanath

STEPPER MOTOR
BH 42 SH 38 - 0806 A
HIGH TORQUE HYBRID



TECHNICAL DATA

CHARACTERISTICS

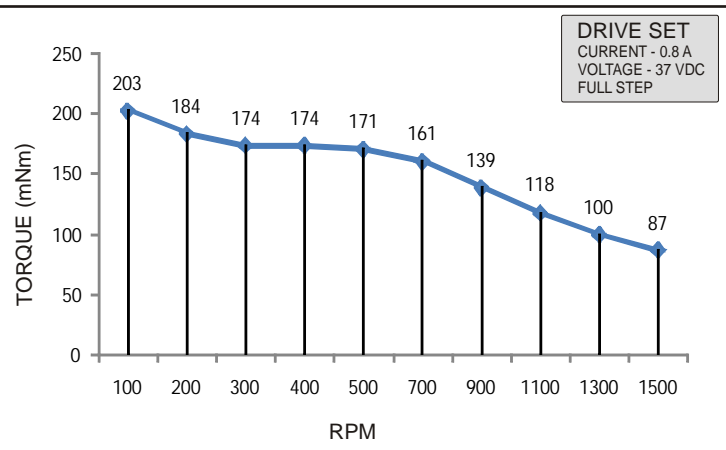
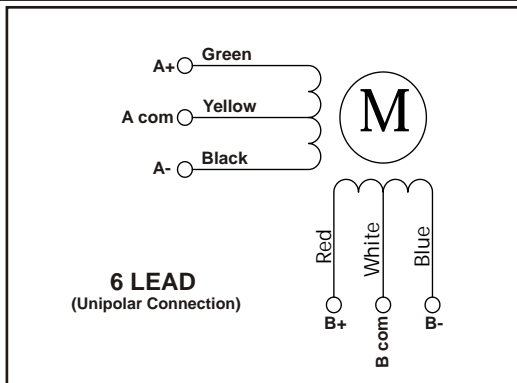
Step Angle - 1.8°
Step Angle Accuracy - ± 5%
Insulation Class - H
Ambient Temperature - - 20°C + 50°C
Temperature Rise - 80°C Max. (Rated Current Phase 2 ON)
Insulation Resistance 100 M Ohms Min.500 VDC
Dielectric Strength 500 VAC For One Minute
Shaft Radial Play 0.02 Max. Play (450 G Load)
Shaft Axial Play 0.08 Max. Play (450 G Load)
Max.Radial Force 28 N (20MM From Front Flange)
Max.Axial Force 10 N

SPECIFICATION

BH42SH38 - 0806 A

	MODEL	Unipolar	
1	Rated Voltage	V	6
2	Current / Phase	A	0.8
3	Resistance / Phase	± 10% Ω	7.5
4	Inductance / Phase	± 20% mH	4.15
5	Holding Torque	Nm	0.259
6	Rotor Inertia	G-CM ²	54
7	Weight	KG.	0.227
8	No of Lead	N ⁰	6
9	Operating Voltage	VDC	12 - 37

Wiring Diagram



STEPPER MOTOR - BH42SH38-0806A



Bholanath Precision Engineering Pvt.Ltd.

11,Kembros Ind.Estate , Sonapur Lane , Bhandup (W),Mumbai - 400078.

Telefax/Phone : 25662856/25664338/67993260 Email : support@bholanath.in

Mobile No : 9920903825/9821671733/9930514603/9819515543/9323166582.