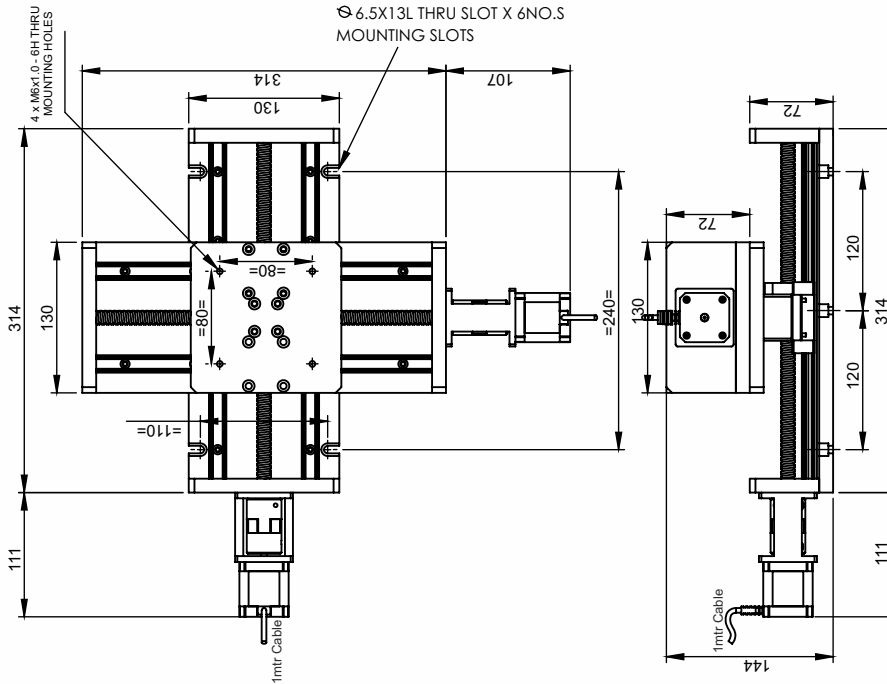


**SPECIFICATION SHEET**  
**Bholanath**

**X-Y AXIS POSITIONING TABLE**  
**BHBS-X-YSLIDE-150 (M)**



**HIGH PRECISION X -Y AXIS POSITIONING TABLE-LINEAR BALL SCREW SLIDE**

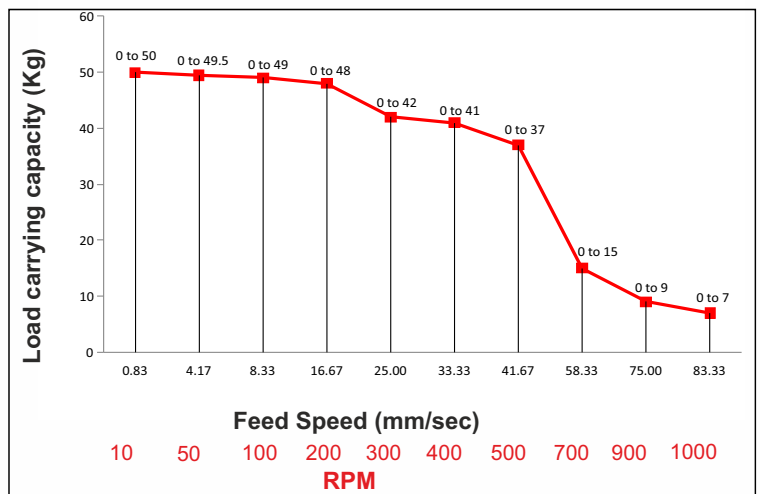
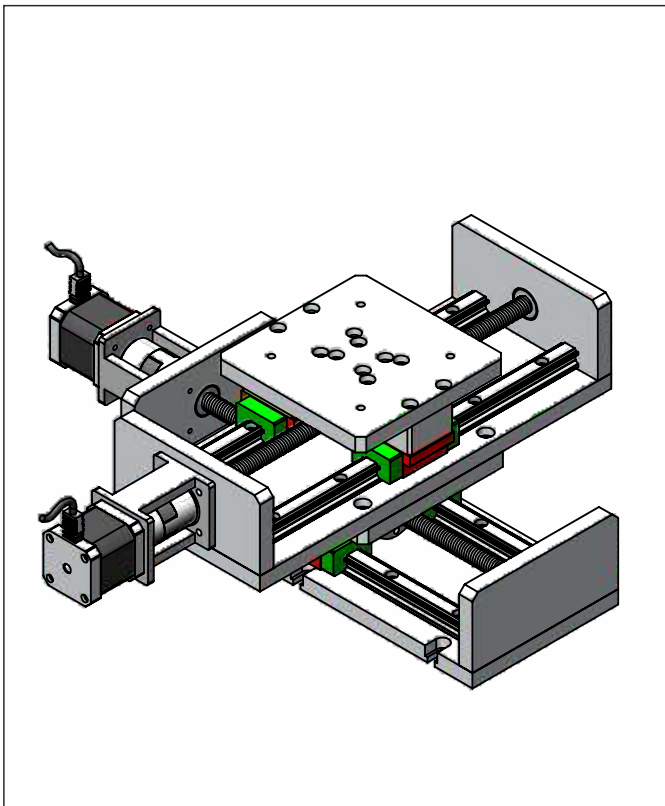


**TECHNICAL DATA**

**SPECIFICATION Model No** BHBS-X-YSLIDE-150 (M)

1	Maximum load carrying capacity(kg)	0 to 50
2	Permissible Feed Speed of X-Y	0 to 83 mm/sec
3	Positioning Accuracy (mm)	≤ 0.02
4	Degree Of protection	IP 40
5	Total Weight of slide (KG)	12

**Note:-** The Load Calculation is Based On Horizontal Movement. For Vertical Movement Kindly Consider Safety Factor Of 0.6 And Motor With Brake.



**Bholanath Precision Engineering Pvt.Ltd.**

11, Kembros Ind. Estate, Sonapur Lane, Bhandup (W), Mumbai - 400078.  
 Telefax/Phone : 25662856/25664338/67993260 Email : support@bholanath.in  
 Mobile No : 9920903825/9821671733/9930514603/9819515543/9323166582.