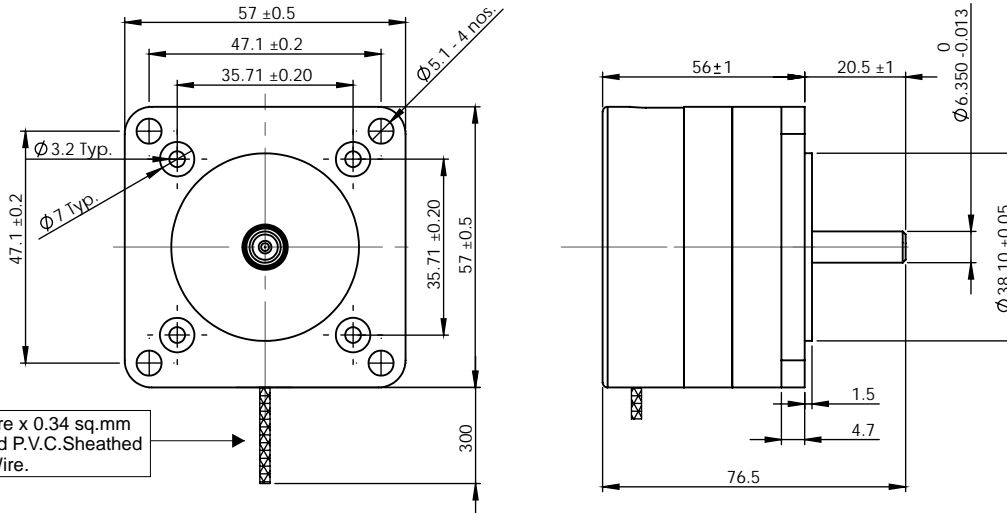


**SPECIFICATION SHEET**  
*Bholanath*

**STEPPER MOTOR**  
**BH 56 SH 56 (Round Frame Size)**  
**HIGH TORQUE HYBRID**



**TECHNICAL DATA**

**CHARACTERISTICS**

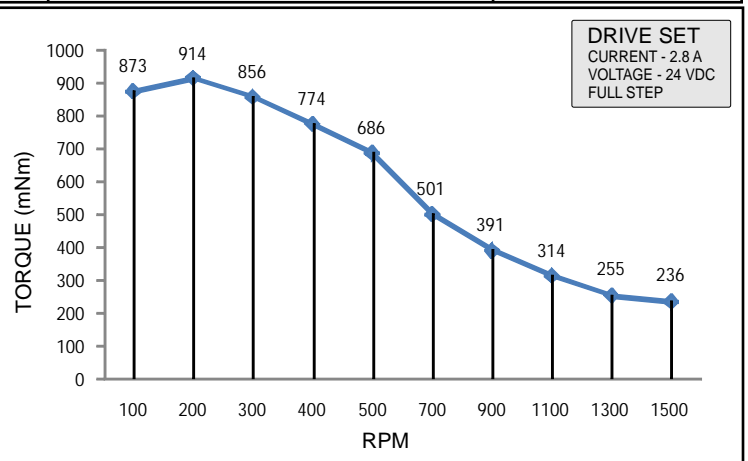
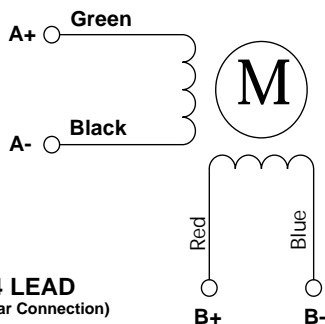
Step Angle - 1.8 °
Step Angle Accuracy - ± 5%
Insulation Class - H
Ambient Temperature - - 20°C + 50°C
Temperature Rise - 80 °C Max. ( Rated Current Phase 2 ON )
Insulation Resistance 100 M Ohms Min.500 VDC
Dielectric Strength 500 VAC For One Minute
Shaft Radial Play 0.02 Max. Play ( 450 G Load )
Shaft Axial Play 0.08 Max. Play ( 450 G Load )
Max.Radial Force 28 N ( 20MM From Front Flange )
Max.Axial Force 10 N

**SPECIFICATION**

**BH56SH56-2804A**

	MODEL		Bipolar
1	Rated Voltage	V	2.8
2	Current / Phase	A	2.8
3	Resistance / Phase ± 10%	Ω	1.01
4	Inductance / Phase ± 20%	mH	2.5
5	Holding Torque	Nm	1.26
6	Rotor Inertia	G-CM <sup>2</sup>	300
7	Weight	KG.	0.72
8	No of Lead	N <sup>0</sup>	4

**Wiring Diagram**



**MOTOR MODEL - BH56SH56-2804A**



**Bholanath Precision Engineering Pvt.Ltd.**

11,Kembros Ind.Estate , Sonapur Lane , Bhandup (W),Mumbai - 400078.  
Telefax/Phone : 25662856/25664338/67993260 Email : support@bholanath.in  
Mobile No : 9920903825/9821671733/9930514603/9819515543/9323166582.