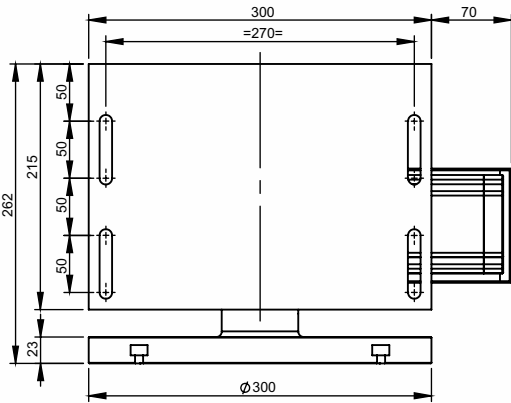
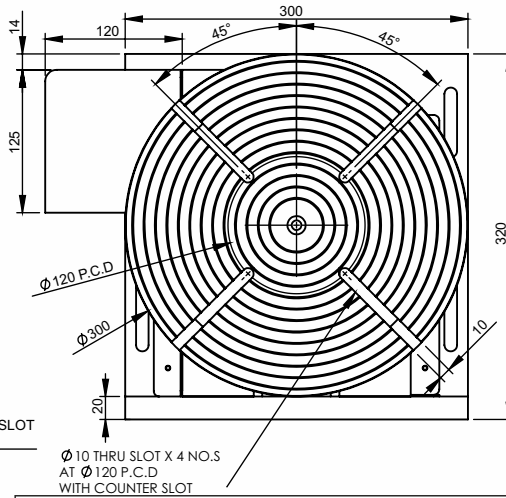
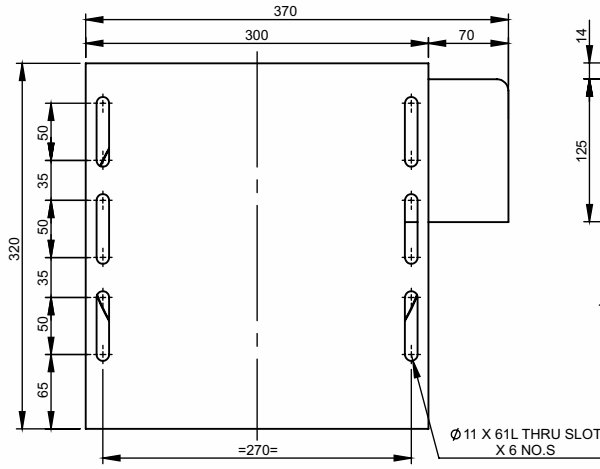


**SPECIFICATION SHEET**  
**Bholanath**

**Rotary Table**  
**BH-RT-03 (M)**



Heavy duty stepper motor Technology with accurate indexing and accurate rotation. Rotary tables used for applications in machine tool industry.

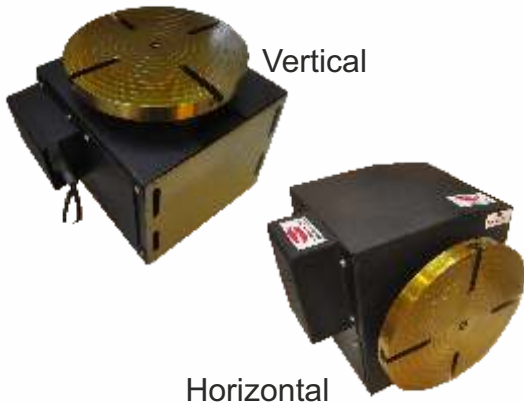


**Indexing Degree :-** 0.36° ..3° ..30°,45°,60°, 90°...180°...360°...  
{n(15)/1.8} where n is Indexing degree.

Example:-  $n=270^\circ$   
 $= (270 \times 15) / 1.8$   
 $= 2250$

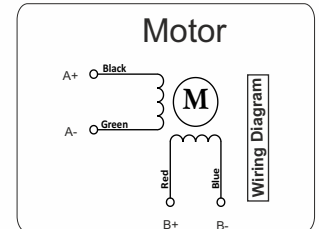
Result has to be whole number  
(So 270° indexing is possible)

**Note:-** Continuous Movement up to 15RPM for 170Kg load.



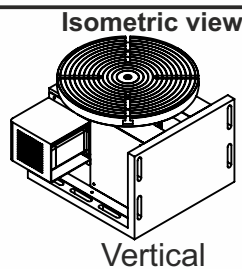
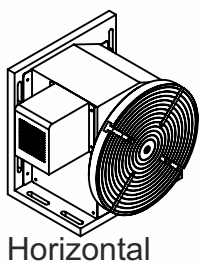
**BRAKE DETAILS :**  
 Torque : 10 Nm  
 Voltage : 24 V  
 Current at 20°C - 0.83 Amps  
 Power Consumption at 20°C : 19.8 Watts

White — ○ +  
 Black — ○ -  
 24VDC



**TECHNICAL DATA**

SPECIFICATION Model No		BH-RT-03-(M)
1	Maximum load carrying capacity(kg)	170
2	Permissible Feed Speed (RPM)	0 to 15
3	Maximum Plate Diameter (mm)	300
4	Gear Ratio of Indexing Table	15:1
5	Positioning Accuracy (arc min)	≤ 5
6	Degree Of protection	IP 40
7	Total Weight Of Rotary table (KG)	61



Horizontal

Vertical



**Bholanath Precision Engineering Pvt.Ltd.**

11,Kembros Ind.Estate , Sonapur Lane , Bhandup (W),Mumbai - 400078.  
 Telefax/Phone : 25662856/25664338/67993260 Email : support@bholanath.in  
 Mobile No : 9920903825/9821671733/9930514603/9819515543/9323166582.