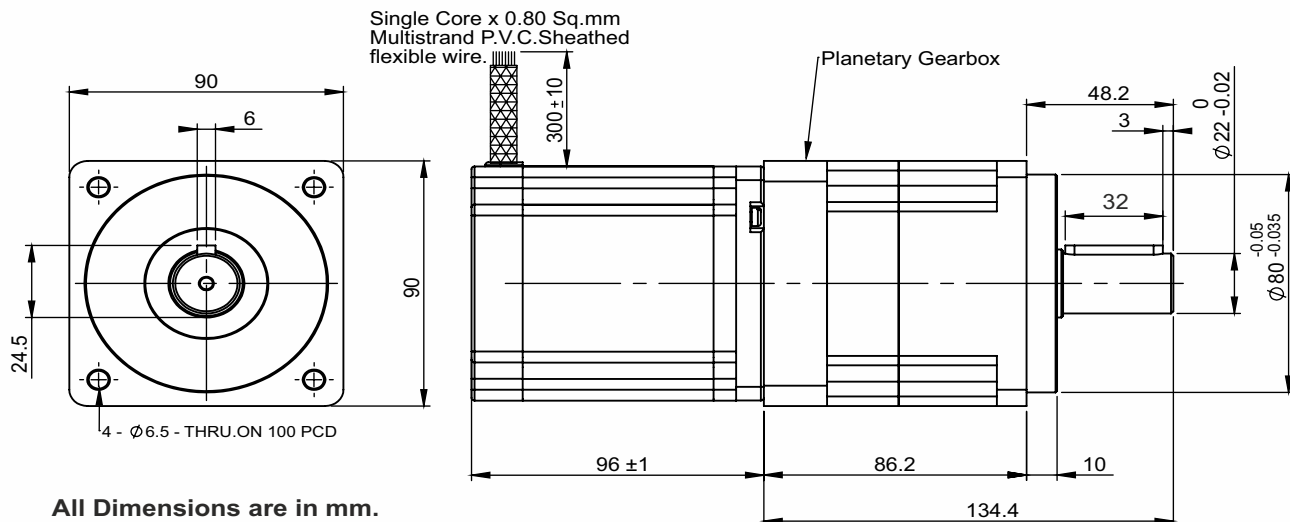
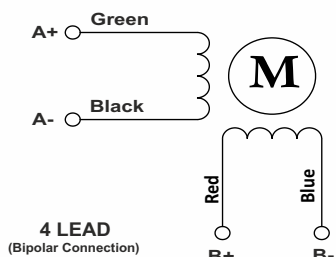


**SPECIFICATION SHEET**  
**Bholanath**

**STEPPER MOTOR**  
**BH86 SH 96 - 5504 PL**  
**HIGH TORQUE HYBRID**

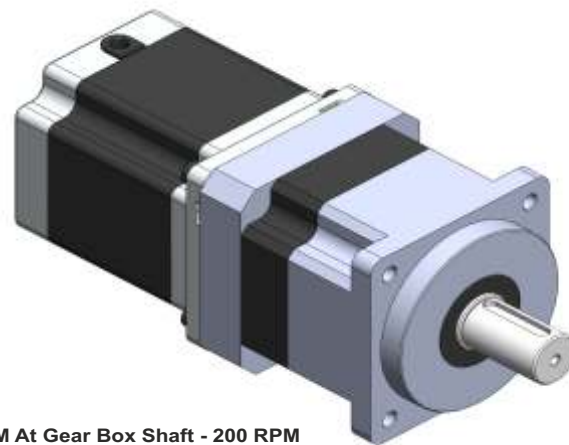


**Wiring Diagram**

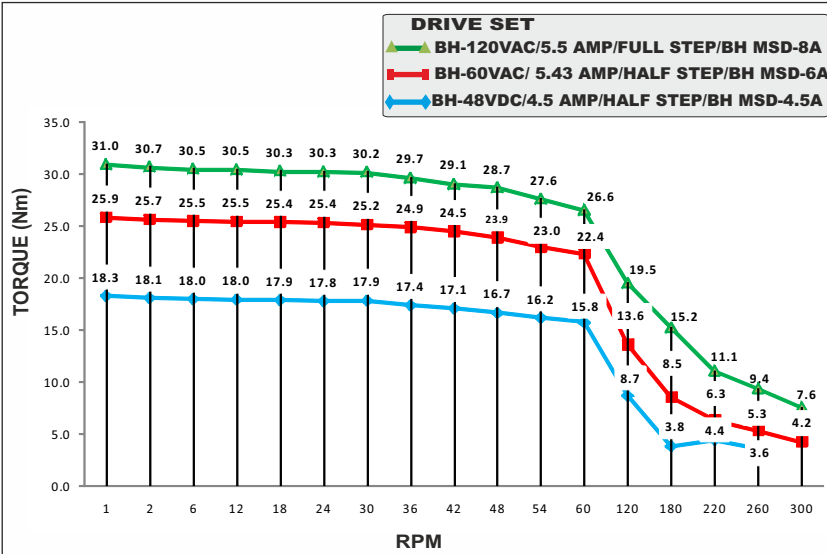


**CHARACTERISTICS**

Motor - Bipolar
Steps per Revolution - 200
Step Angle - 1.8 degree
Motor Step Angle Accuracy- ± 3 Arc minute
Dimensions - Refer drawing
Weight with Gear box - 5.7 Kg
Insulation Class - Class H
Protection Class - DIN40050 - IP30
Resistance of Insulation - 100M Ω 500 VDC
Resistance per phase - 0.5 Ω
Inductance per phase - 3.55 mH
Normal current per phase - 5.5 Amp
Rated Voltage - 2.75
Operating Voltage - 48 to 170 VDC
Operating Voltage - 34 to 120 VAC
Stock Temperature - (-10°C to + 70°C)
Operation Temperature - (-10°C to + 40°C)
Holding Torque Of Motor - 7.0 Nm
Holding Torque with gear Box - 31.5 Nm (315 Kgcm)
Max Radial load(12mm from flange) - ≤ 910N
Max Shaft Axial Load - ≤ 580N
Gear Box Ratio - 5:1
Backlash Arcmin - Precision 10



Max.RPM At Gear Box Shaft - 200 RPM



**PLANETARY GEAR BOX STEPPER MOTOR - BH86SH96-5504PL**



**Bholanath Precision Engineering Pvt.Ltd.**

11,Kembros Ind.Estate , Sonapur Lane , Bhandup (W),Mumbai - 400078.  
Telefax/Phone : 25662856/25664338/67993260 Email : support@bholanath.in  
Mobile No : 9920903825/9821671733/9930514603/9819515543/9323166582.