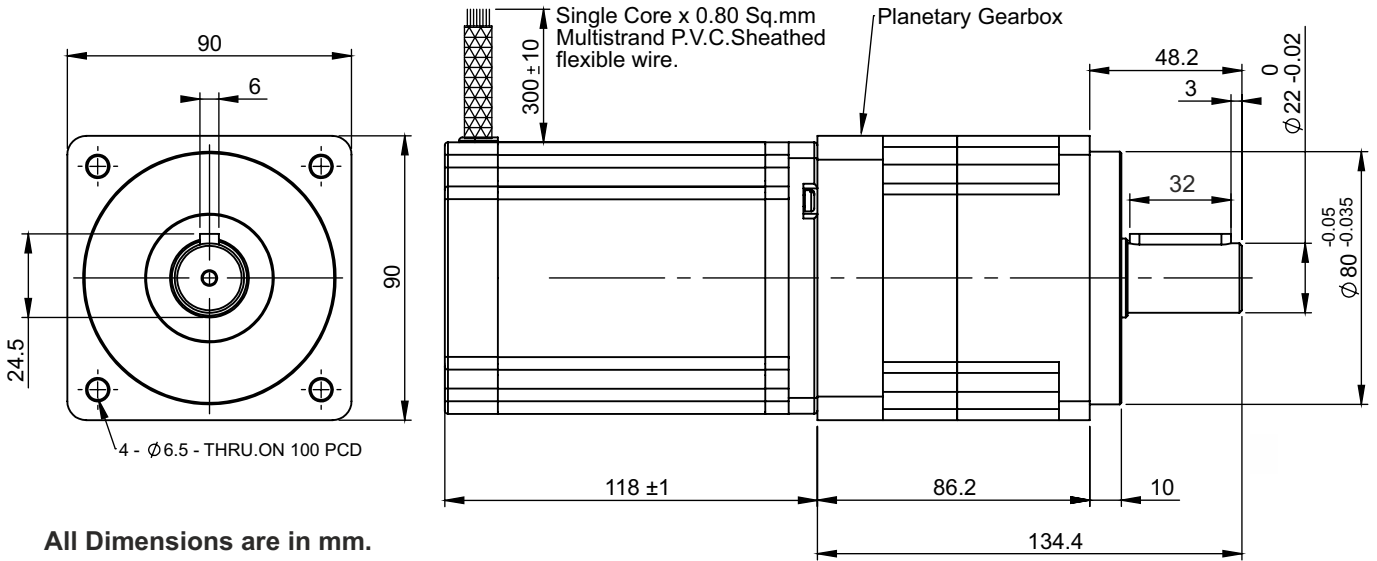
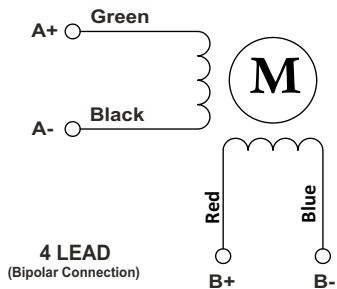


SPECIFICATION SHEET
Bholanath

STEPPER MOTOR
BH86 SH 118 - 6004 PL-20
HIGH TORQUE HYBRID

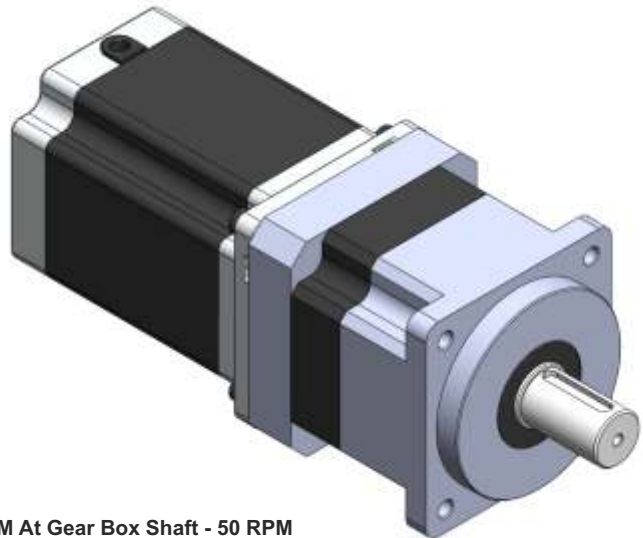


Wiring Diagram

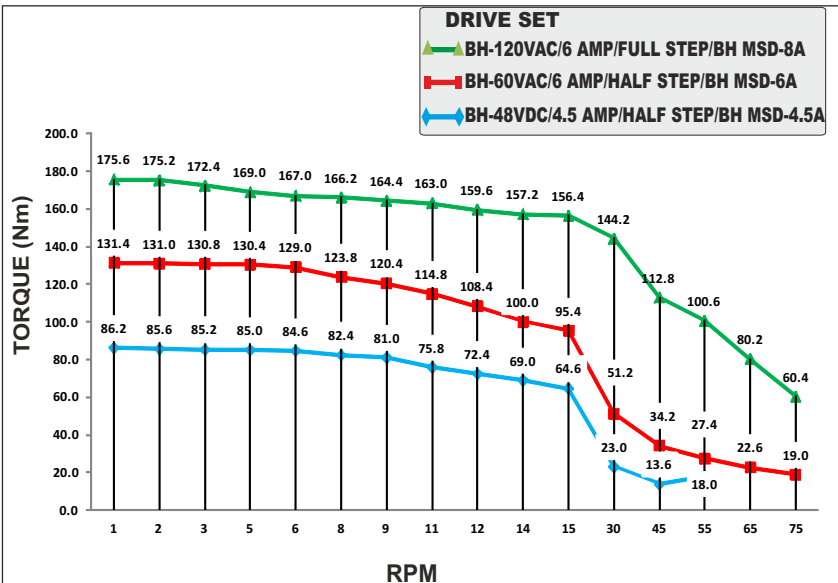


CHARACTERISTICS

Motor - Bipolar
Steps per Revolution - 200
Step Angle - 1.8 degree
Motor Step Angle Accuracy- ± 3 Arc minute
Dimensions - Refer drawing
Weight with Gear box - 7.5 Kg
Insulation Class - Class H
Protection Class - DIN40050 - IP30
Resistance of Insulation - 100M Ω 500 VDC
Resistance per phase - 0.42 Ω
Inductance per phase - 4.25 mH
Normal current per phase - 6 Amp
Operating Voltage - 48 to 170 VDC
Operating Voltage - 34 to 120 VAC
Stock Temperature - (-10°C to + 70°C)
Operation Temperature - (-10°C to + 40°C)
Holding Torque Of Motor - 8.7 Nm
Holding Torque with gear Box - 170.0 Nm (1700 Kgcm)
Max Radial load(12mm from flange) - < 910N
Max Shaft Axial Load - \leq 580N
Gear Box Ratio - 20:1
Backlash Arcmin - Precision 10



Max.RPM At Gear Box Shaft - 50 RPM



PLANETARY GEAR BOX STEPPER MOTOR - BH86SH118-6004PL-20