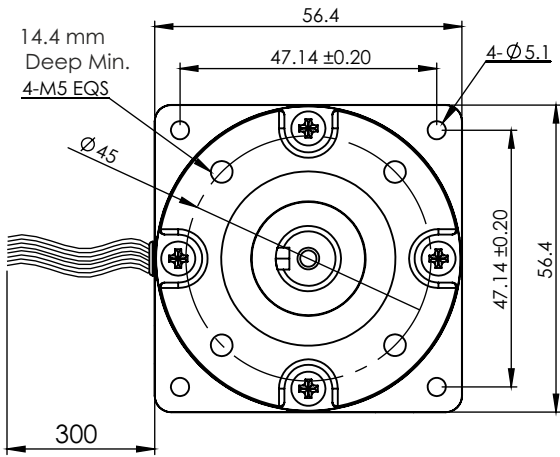


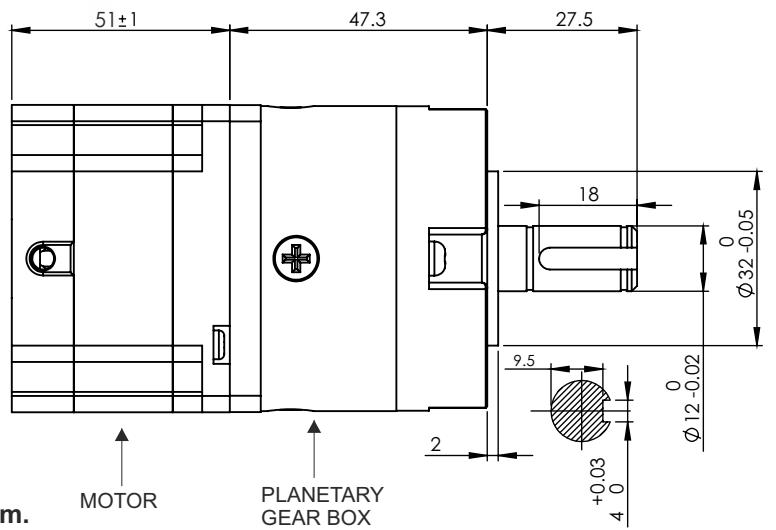
**SPECIFICATION SHEET**  
**Bholanath**

**STEPPER MOTOR**  
**BH57 SH 51 - 2804 PL**  
**HIGH TORQUE HYBRID**



Single Core x 0.34 Sq.mm  
Multistrand P.V.C.Sheathed  
flexible wire.

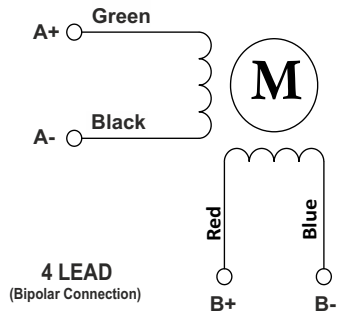
All Dimensions are in mm.



MOTOR

PLANETARY  
GEAR BOX

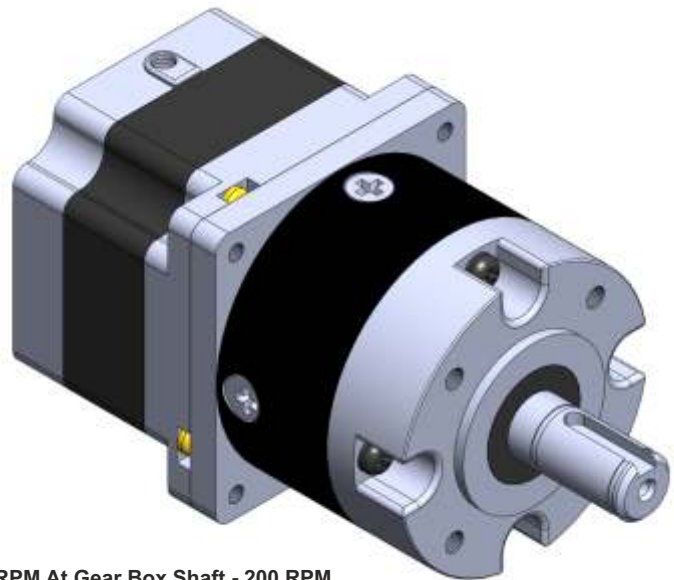
**Wiring Diagram**



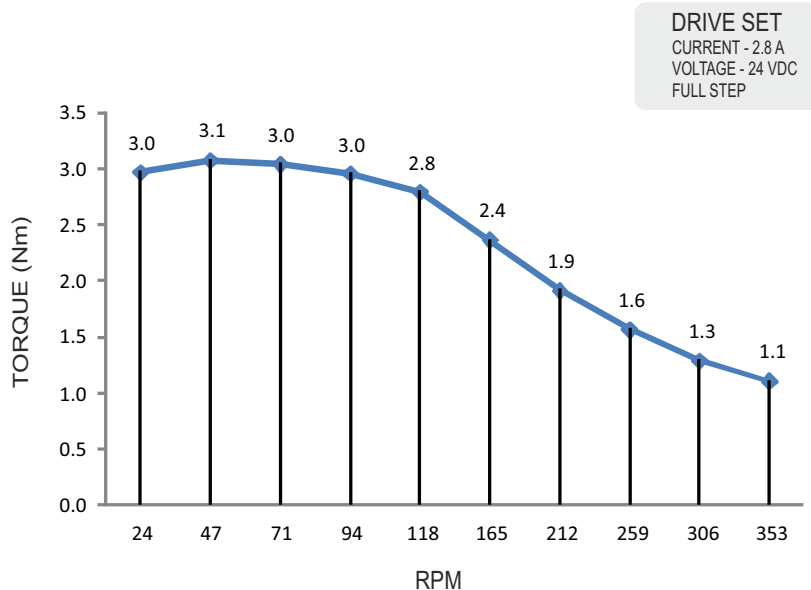
4 LEAD  
(Bipolar Connection)

**CHARACTERISTICS**

Motor - Bipolar
Steps per Revolution - 200
Step Angle - 1.8 degree
Motor Step Angle Accuracy- ± 3 Arc Minute
Dimensions - Refer drawing
Weight with Gear box - 1.0 Kg
Insulation Class - Class H
Protection Class - DIN40050 - IP30
Resistance of Insulation - 100M Ω 500 VDC
Resistance per phase - 0.88 Ω
Inductance per phase - 2.2 mH
Normal current per phase - 2.8 Amp
Operating Voltage - 12 to 24 VDC
Stock Temperature - (-10°C to + 70°C)
Operation Temperature - (-10°C to + 40°C)
Holding Torque Of Motor - 1.01 Nm
Holding Torque with gear Box - 4.0 Nm (40 Kgcm)
Max. Radial Load(12mm from flange) ≤ 250N
Max Shaft axial load ≤ 100N
Radial Play Of Shaft(near to flange) ≤ 0.08mm
Axial Play Of shaft ≤ 0.3mm
Gear Box Ratio - 4.25:1
Backlash at no load - 1.5 degree



Max.RPM At Gear Box Shaft - 200 RPM



**PLANETARY GEAR BOX STEPPER MOTOR - BH57SH51-2804PL**