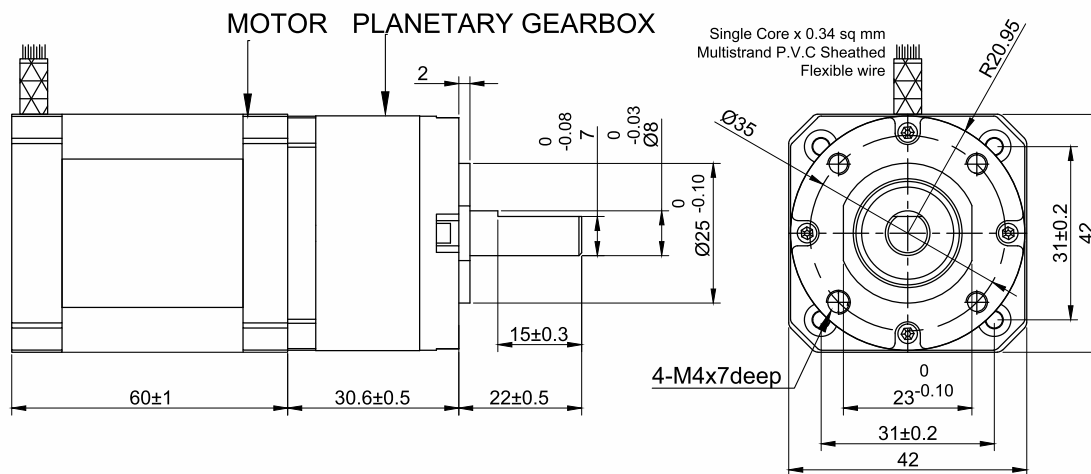


SPECIFICATION SHEET
Bholanath

STEPPER MOTOR
BH42 SH 60 - 0854 PL-46Kgcm
HIGH TORQUE HYBRID

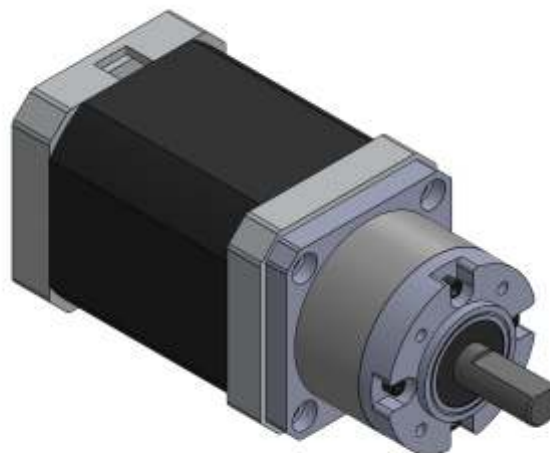
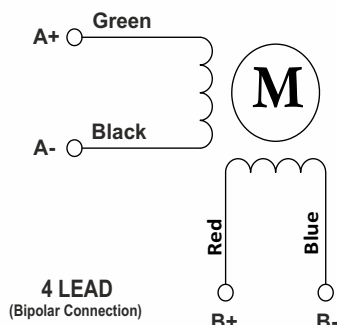


Modification Date 24.05.2017

AMENDMENT
O/P Shaft Length Of PL G/B 20mm TO 22mm
PL G/B step boss OD 22mm TO 25mm
PL G/B Length 27.5mm TO 30.6mm
PL G/B OD 36mm To 42mm
Mounting hole PCD 28mm to 35mm
Mounting hole size M3 to M4
Gear Box Ratio 5.18:1 To 5.2:1

All Dimensions are in mm.

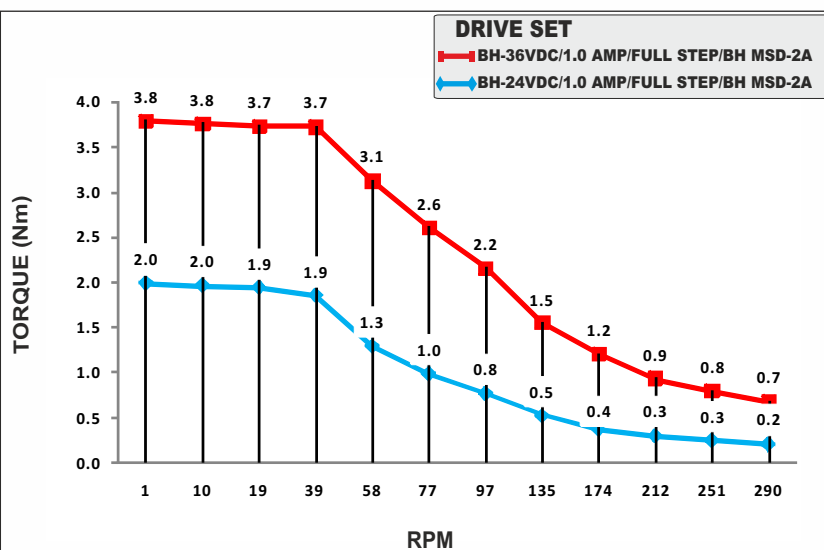
Wiring Diagram



Max.RPM At Gear Box Shaft - 200 RPM

CHARACTERISTICS

Motor - Bipolar
Steps per Revolution - 200
Step Angle - 1.8 degree
Motor Step Angle Accuracy- ± 3 Arc Minute
Dimensions - Refer drawing
Weight with Gear box - 835 g
Insulation Class - Class H
Protection Class - DIN40050 - IP30
Resistance of Insulation - 100M Ω 500 VDC
Resistance per phase - 12 Ω
Inductance per phase - 18 mH
Normal current per phase - 0.85 Amp
Operating Voltage - 24 to 50 VDC
Stock Temperature - (-10°C to + 70°C)
Operation Temperature - (-10°C to + 40°C)
Holding Torque Of Motor - 0.9 Nm (9.0 Kgcm)
Holding Torque with gear Box - 4.6 Nm (46 Kgcm)
Max Radial Load (12mm from flange) - ≤ 80N
Max Shaft Axial Load - ≤ 30N
Radial Play of Shaft (Near to flange) - ≤ 0.06mm
Axial Play of Shaft - ≤ 0.3mm
Gear Box Ratio - 5.2:1
Backlash - 1.5 degree



PLANETARY GEAR BOX STEPPER MOTOR - BH42SH60-0854PL-46Kgcm