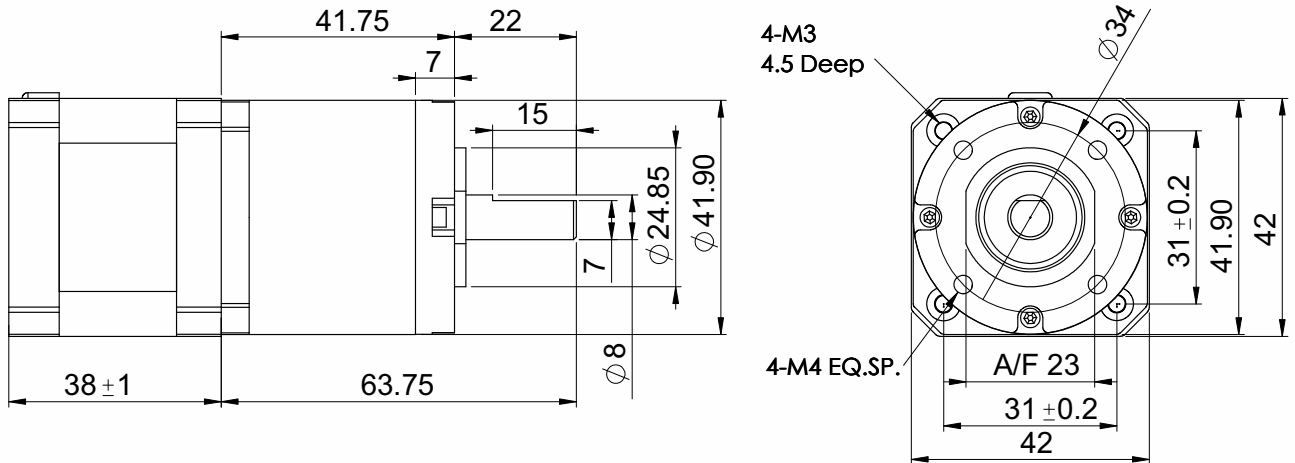


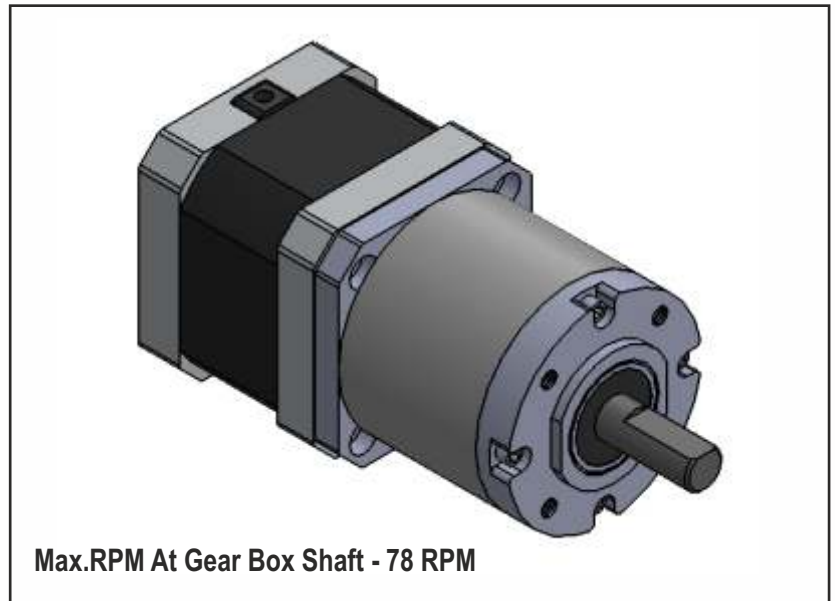
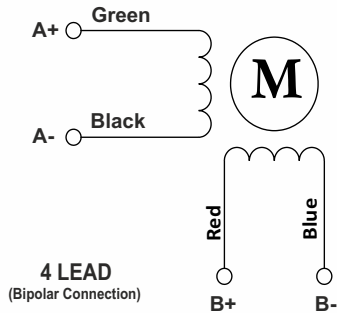
**SPECIFICATION SHEET**  
**Bholanath**

**STEPPER MOTOR**  
**BH42 SH 38 - 1684 PL-19.2**  
**HIGH TORQUE HYBRID**



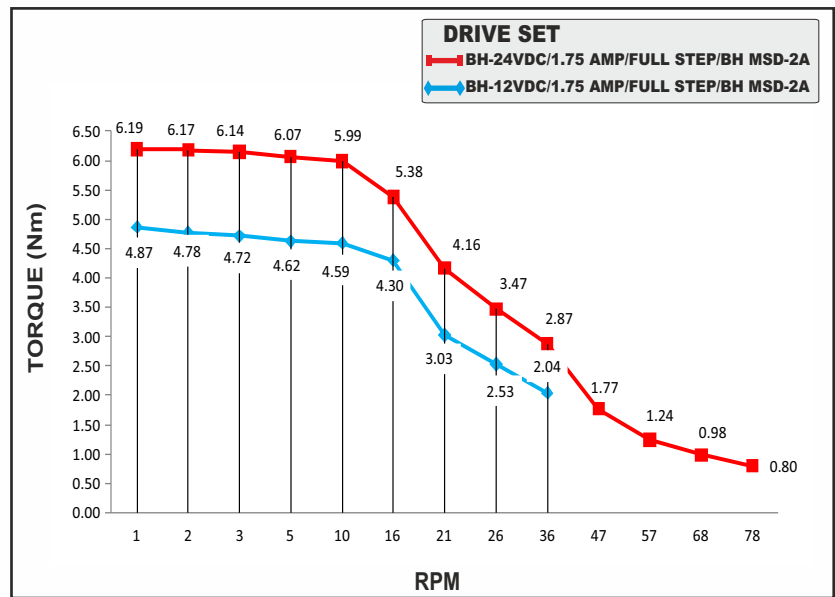
All Dimensions are in mm.

**Wiring Diagram**



**CHARACTERISTICS**

Motor - Bipolar
Steps per Revolution - 200
Step Angle - 1.8 degree
Motor Step Angle Accuracy- ± 3 Arc Minute
Dimensions - Refer drawing
Weight with Gear box - 385 g
Insulation Class - Class H
Protection Class - DIN40050 - IP30
Resistance of Insulation - 100M $\Omega$ 500 VDC
Resistance per phase - 1.7 $\Omega$
Inductance per phase - 1.8 mH
Normal current per phase - 1.68 Amp
Operating Voltage - 12 to 24 VDC
Stock Temperature - (-10°C to + 70°C)
Operation Temperature - (-10°C to + 40°C)
Holding Torque Of Motor - 0.36 Nm (3.6Kgcm)
Holding Torque with gear Box - 5.4 Nm (54 Kgcm)
Max Radial Load (12mm from flange) - ≤ 80N
Max Shaft Axial Load - ≤ 30N
Radial Play of Shaft (Near to flange) - ≤ 0.06mm
Axial Play of Shaft - ≤ 0.3mm
Gear Box Ratio - 19.2:1
Backlash at no load - 1.2 degree
Rotor Inertia of Motor - 86 GM-CM <sup>2</sup>
Rotor Inertia of Gearbox - 96 GM-CM <sup>2</sup>



**PLANETARY GEAR BOX STEPPER MOTOR - BH42SH38-1684PL-19.2**