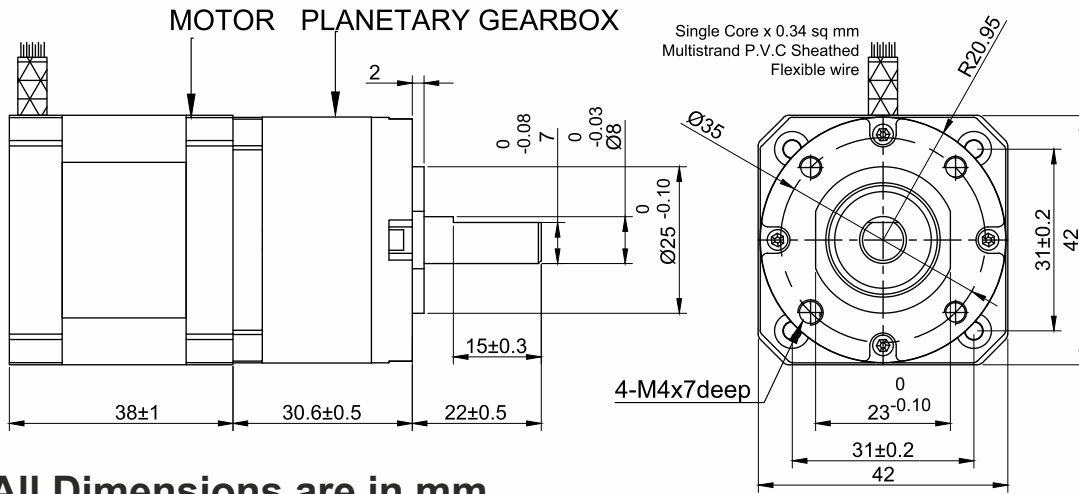


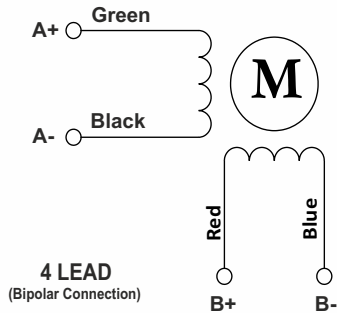
**SPECIFICATION SHEET**  
**Bholanath**

**STEPPER MOTOR**  
**BH42 SH 38 - 1684 PL-18Kgcm**  
**HIGH TORQUE HYBRID**



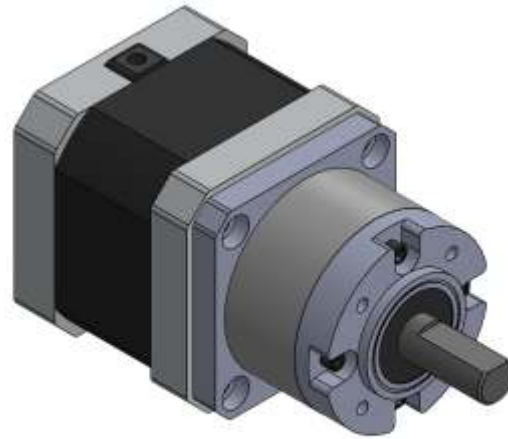
All Dimensions are in mm.

**Wiring Diagram**

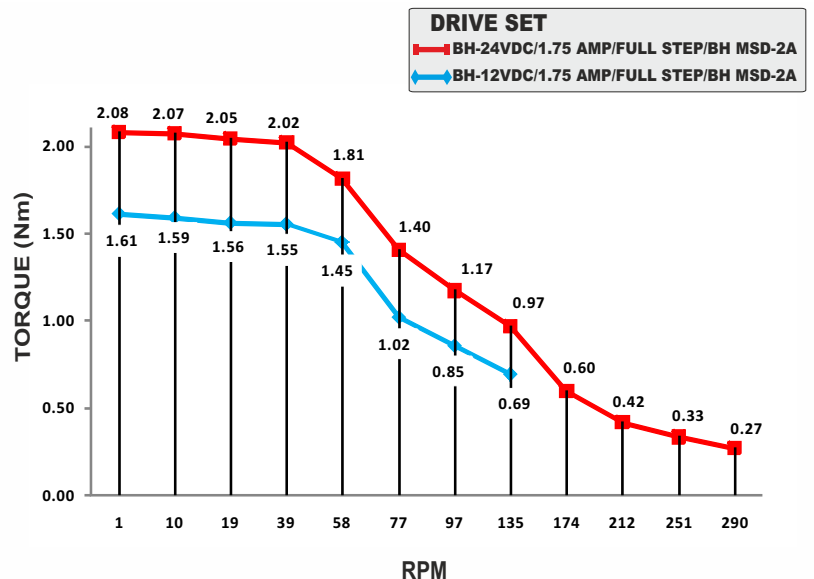


**CHARACTERISTICS**

- Motor - Bipolar
- Steps per Revolution - 200
- Step Angle - 1.8 degree
- Motor Step Angle Accuracy- ± 3 Arc Minute
- Dimensions - Refer drawing
- Weight with Gear box - 377 g
- Insulation Class - Class H
- Protection Class - DIN40050 - IP30
- Resistance of Insulation - 100M Ω 500 VDC
- Resistance per phase - 1.7 Ω
- Inductance per phase - 1.8 mH
- Normal current per phase - 1.68 Amp
- Operating Voltage - 12 to 24 VDC
- Stock Temperature - (-10°C to + 70°C)
- Operation Temperature - (-10°C to + 40°C)
- Holding Torque Of Motor - 0.36 Nm (3.6Kgcm)
- Holding Torque with gear Box - 1.8 Nm (18 Kgcm)
- Max Radial Load (12mm from flange) - ≤ 80N
- Max Shaft Axial Load - ≤ 30N
- Radial Play of Shaft (Near to flange) - ≤ 0.06mm
- Axial Play of Shaft - ≤ 0.3mm
- Gear Box Ratio - 5.2:1
- Backlash - 1.5 degree



Max.RPM At Gear Box Shaft - 200 RPM



**PLANETARY GEAR BOX STEPPER MOTOR - BH42SH38-1684PL-18Kgcm**