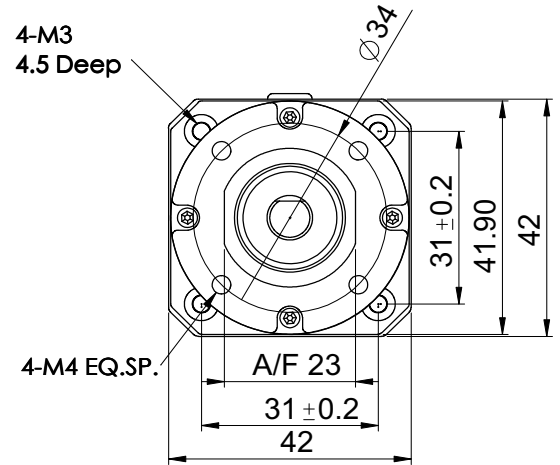
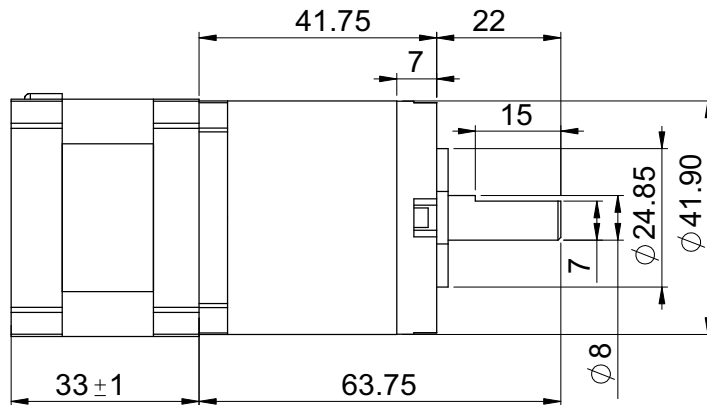
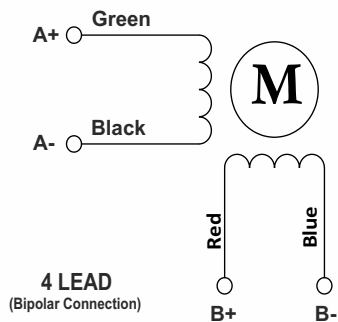


**SPECIFICATION SHEET**  
**Bholanath**

**STEPPER MOTOR**  
**BH42 SH 33 - 1334 PL-19.2**  
**HIGH TORQUE HYBRID**

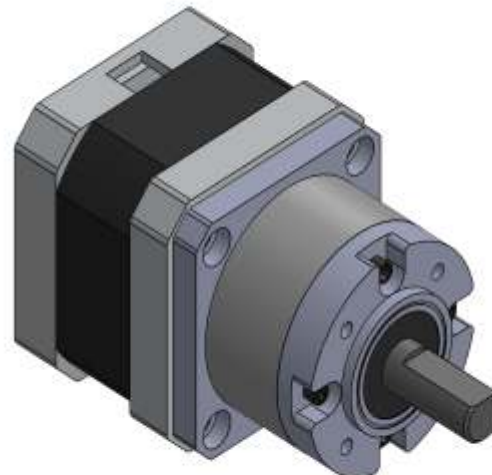


**Wiring Diagram**

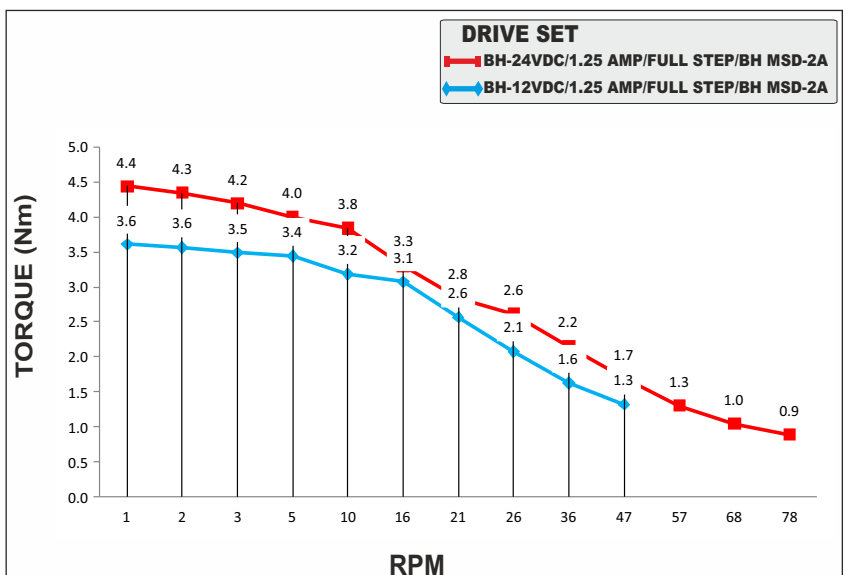


**CHARACTERISTICS**

- Motor - Bipolar
- Steps per Revolution - 200
- Step Angle - 1.8 degree
- Motor Step Angle Accuracy-  $\pm 3$  Arc Minute
- Dimensions - Refer drawing
- Weight with Gear box - 385 g
- Insulation Class - Class H
- Protection Class - DIN40050 - IP30
- Resistance of Insulation - 100M  $\Omega$  500 VDC
- Resistance per phase - 2.1  $\Omega$
- Inductance per phase - 1.6 mH
- Normal current per phase - 1.3 Amp
- Operating Voltage - 12 to 24 VDC
- Stock Temperature - (-10°C to + 70°C)
- Operation Temperature - (-10°C to + 40°C)
- Holding Torque Of Motor - 0.22 Nm (2.2 Kgcm)
- Holding Torque with gear Box - 1.1 Nm (32 Kgcm)
- Max Radial Load (12mm from flange) -  $\leq 80$ N
- Max Shaft Axial Load -  $\leq 30$ N
- Radial Play of Shaft (Near to flange) -  $\leq 0.06$ mm
- Axial Play of Shaft -  $\leq 0.3$ mm
- Gear Box Ratio - 19.2:1
- Backlash - 1.2 degree



**Max.RPM At Gear Box Shaft - 147 RPM**



**PLANETARY GEAR BOX STEPPER MOTOR - BH42SH33-1334PL-19.2**