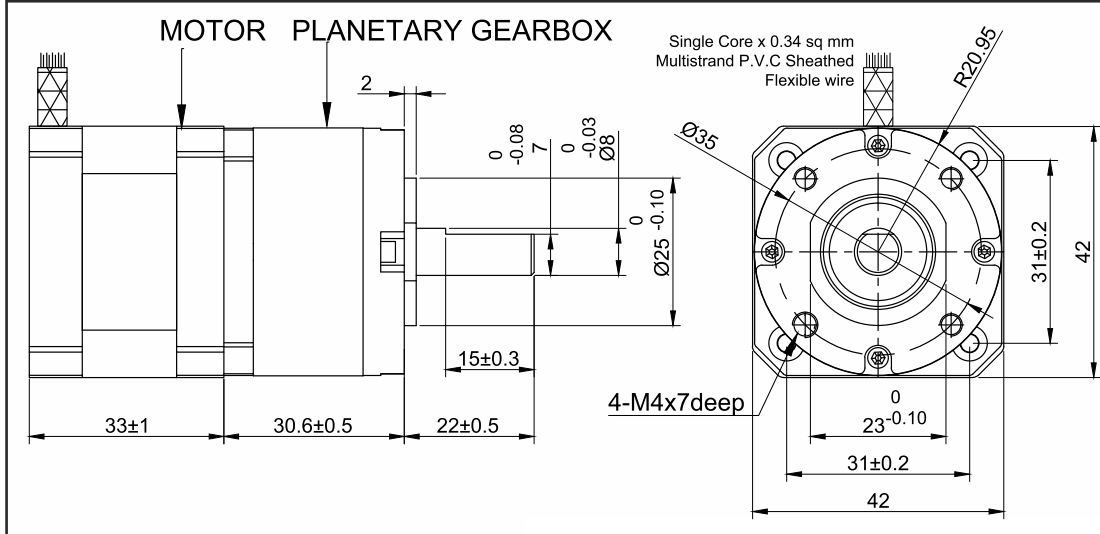


**SPECIFICATION SHEET**  
**Bholanath**

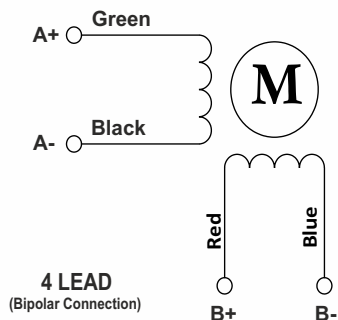
**STEPPER MOTOR**  
**BH42 SH 33 - 1334 PL-11 Kgcm**  
**HIGH TORQUE HYBRID**



**Modification Date 24.05.2017**

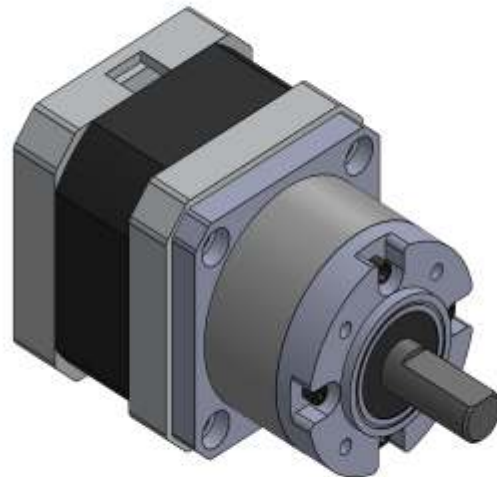
**AMENDMENT**  
O/P Shaft Length Of PL G/B 20mm TO 22mm.  
PL G/B step boss OD 22mm TO 25mm  
PL G/B Length 27.5mm TO 30.6mm  
PL G/B OD 36mm To 42mm  
Mounting hole PCD 28mm to 35mm  
Mounting hole size M3 to M4  
**Gear Box Ratio 5.18:1 To 5.2:1**

**Wiring Diagram**

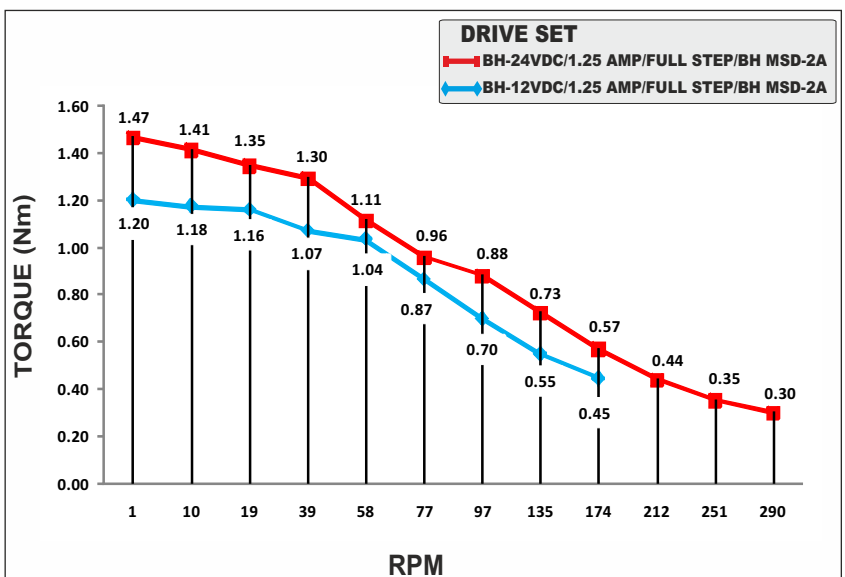


**CHARACTERISTICS**

- Motor - Bipolar
- Steps per Revolution - 200
- Step Angle - 1.8 degree
- Motor Step Angle Accuracy- ± 3 Arc Minute
- Dimensions - Refer drawing
- Weight with Gear box - 372 g
- Insulation Class - Class H
- Protection Class - DIN40050 - IP30
- Resistance of Insulation - 100M Ω 500 VDC
- Resistance per phase - 2.1 Ω
- Inductance per phase - 1.6 mH
- Normal current per phase - 1.3 Amp
- Operating Voltage - 12 to 24 VDC
- Stock Temperature - (-10°C to + 70°C)
- Operation Temperature - (-10°C to + 40°C)
- Holding Torque Of Motor - 0.22 Nm (2.2 Kgcm)
- Holding Torque with gear Box - 1.1 Nm (11 Kgcm)
- Max Radial Load (12mm from flange) - ≤ 80N
- Max Shaft Axial Load - ≤ 30N
- Radial Play of Shaft (Near to flange) - ≤ 0.06mm
- Axial Play of Shaft - ≤ 0.3mm
- Gear Box Ratio - 5.2:1
- Backlash - 1.5 degree



**Max.RPM At Gear Box Shaft - 200 RPM**



**PLANETARY GEAR BOX STEPPER MOTOR - BH42SH33-1334PL-11 Kgcm**