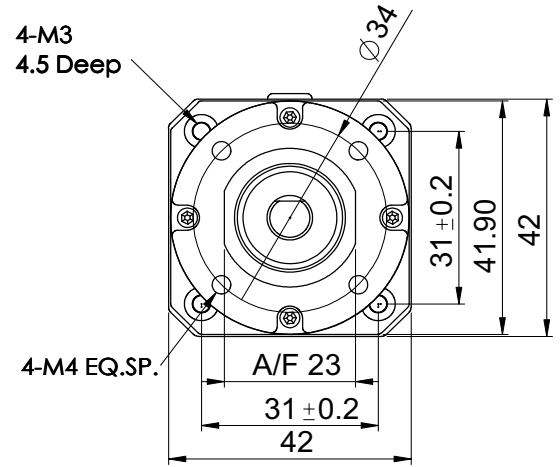
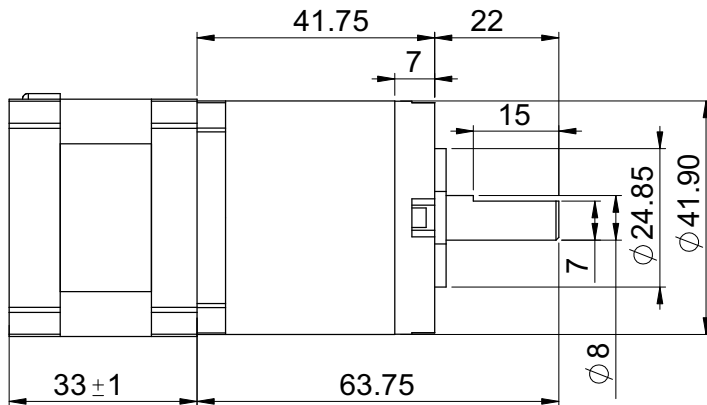
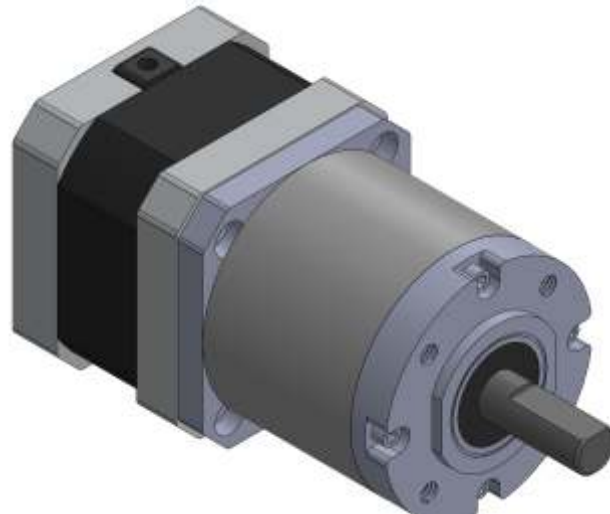
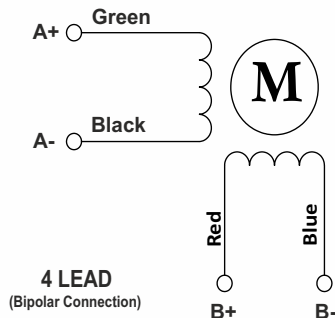


SPECIFICATION SHEET
Bholanath

STEPPER MOTOR
BH42 SH 33 - 1334 PL-10.2
HIGH TORQUE HYBRID



Wiring Diagram



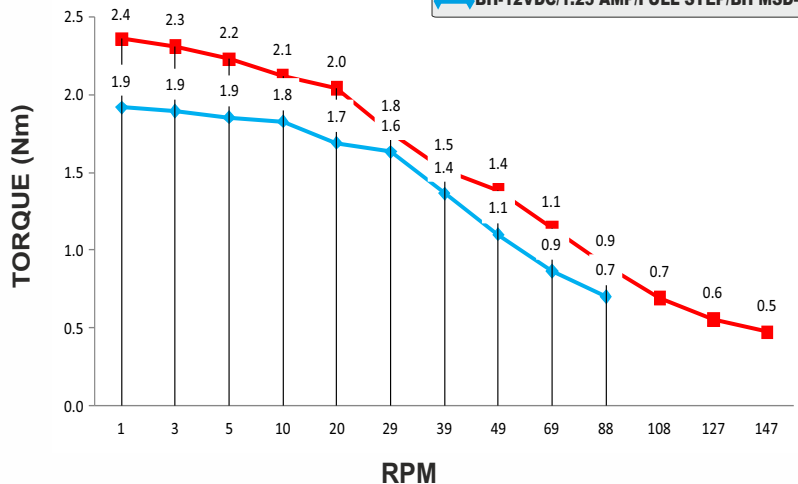
Max.RPM At Gear Box Shaft - 140 RPM

CHARACTERISTICS

- Motor - Bipolar
- Steps per Revolution - 200
- Step Angle - 1.8 degree
- Motor Step Angle Accuracy- ± 3 Arc Minute
- Dimensions - Refer drawing
- Weight with Gear box - 385 g
- Insulation Class - Class H
- Protection Class - DIN40050 - IP30
- Resistance of Insulation - 100M Ω 500 VDC
- Resistance per phase - 2.1 Ω
- Inductance per phase - 1.6 mH
- Normal current per phase - 1.3 Amp
- Operating Voltage - 12 to 24 VDC
- Stock Temperature - (-10°C to + 70°C)
- Operation Temperature - (-10°C to + 40°C)
- Holding Torque Of Motor - 0.22 Nm (2.2 Kgcm)
- Holding Torque with gear Box - 1.6 Nm (16 Kgcm)
- Max Radial Load (12mm from flange) - ≤ 80 N
- Max Shaft Axial Load - ≤ 30 N
- Radial Play of Shaft (Near to flange) - ≤ 0.06 mm
- Axial Play of Shaft - ≤ 0.3 mm
- Gear Box Ratio - 10.2:1
- Backlash at no load - 1.2 degree
- Rotor Inertia of Motor - 86 GM-CM²
- Rotor Inertia of Gearbox - 96 GM-CM²

DRIVE SET

- BH-24VDC/1.25 AMP/FULL STEP/BH MSD-2A
- BH-12VDC/1.25 AMP/FULL STEP/BH MSD-2A



PLANETARY GEAR BOX STEPPER MOTOR - BH42SH33-1334PL-10.2