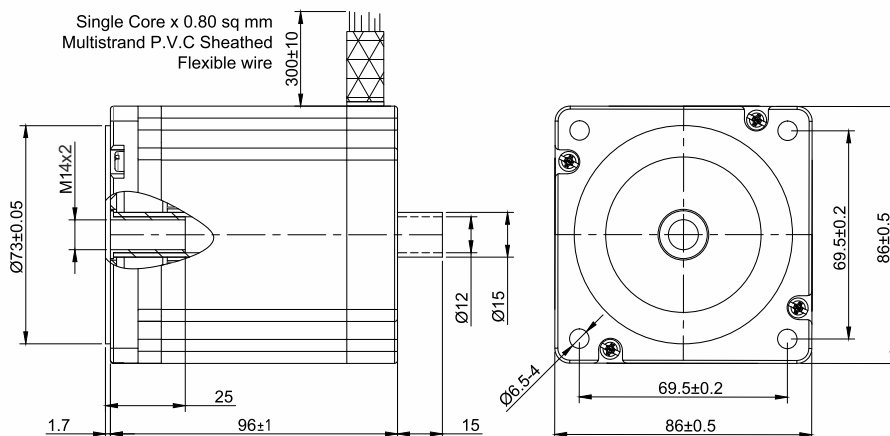
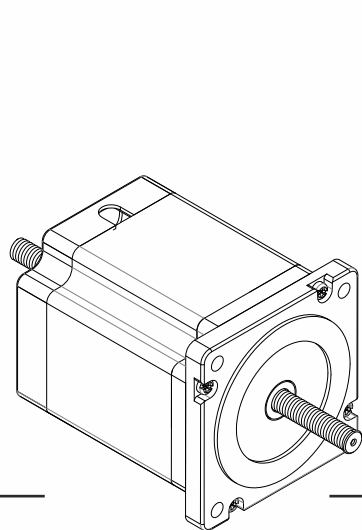
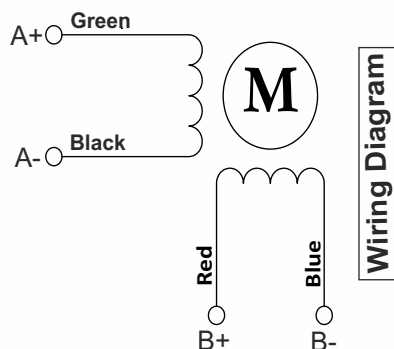


**SPECIFICATION SHEET**  
**Bholanath**

**STEPPER MOTOR**  
**BH86 SH 96 - 5504LA-NC(M14X2)**  
**HIGH TORQUE HYBRID**



**TECHNICAL DATA**



SPECIFICATION BH86SH96 - 5504 LA-NC(M14X2)			
	MODEL	Bipolar	
1	Rated Voltage	V	2.75
2	Current / Phase	A	5.5
3	Resistance / Phase	± 10% Ω	0.5
4	Inductance / Phase	± 20% mH	3.55
5	Holding Torque	Nm	7.00
6	Rotor Inertia	G-CM <sup>2</sup>	2700
7	Weight	KG.	3.1
8	No of Lead	N <sup>0</sup>	4
9	Operating Voltage	VDC	48 - 170
10	Operating Voltage	VAC	34 - 120
11	Linear Step size - 10 micron per full step		

**CHARACTERISTICS**

Step Angle - 1.8°

Step Angle Accuracy - ± 3 Arc Minute

Insulation Class - H

Ambient Temperature - - 20 C<sub>0</sub>+ 50°C

Temperature Rise - 80°C Max.  
( Rated Current Phase 2 ON )

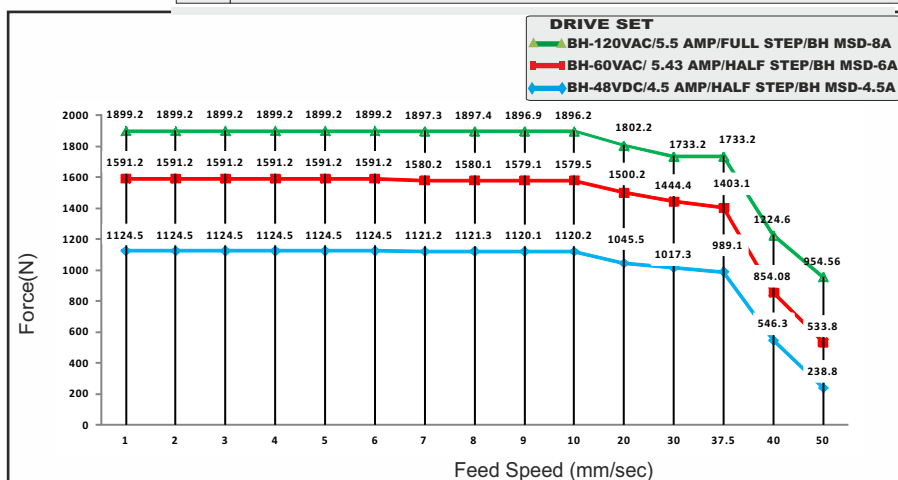
Insulation Resistance  
100 M Ohms Min.500 VDC

Dielectric Strength  
820 VAC For One Minute

Shaft Radial Play  
0.02 Max. Play ( 450 G Load )

Shaft Axial Play  
0.08 Max. Play ( 450 G Load )

Max.Radial Force  
220 N ( 20MM From Front Flange )



**STEPPER MOTOR - BH86SH96 - 5504LA-NC(M14X2)**



COMMITTED TO PRECISION

BHOLANATH COOL STEPPERS™

**Bholanath Precision Engineering Pvt.Ltd.**

11,Kembros Ind.Estate , Sonapur Lane , Bhandup (W),Mumbai - 400078.

Telefax/Phone : 25662856/25664338/67993260 Email : support@bholanath.in

Mobile No : 9920903825/9821671733/9930514603/9819515543/9323166582.