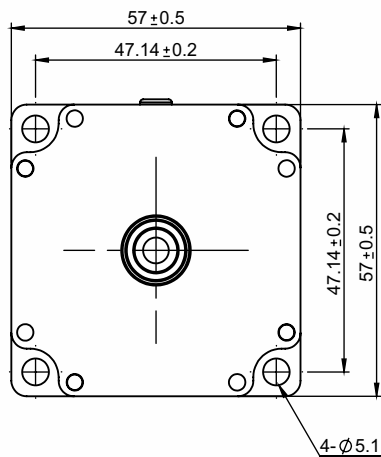


**SPECIFICATION SHEET**  
**Bholanath**

**STEPPER MOTOR**  
**BH 57 SH 76 - 2804 LA-NC (M10 X 2)**  
**HIGH TORQUE HYBRID**

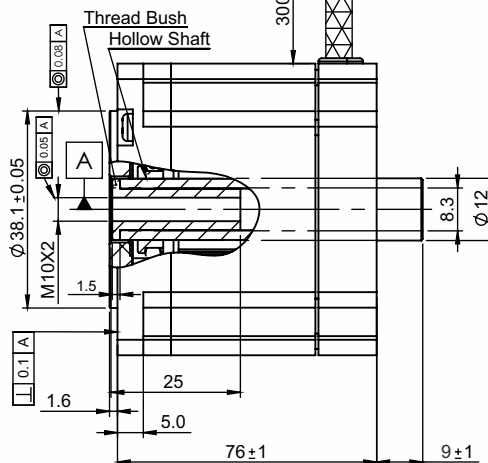


**Front View & Mounting**

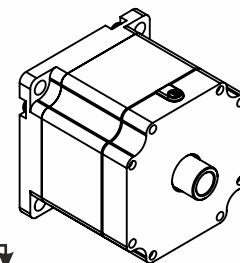
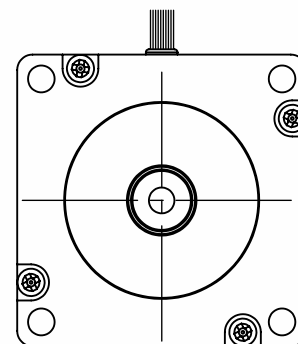


Single Core x 0.34 Sq.mm  
Multistrand P.V.C.Sheathed  
flexible wire.

**Side View**



**Rear View**



- Screw Length : 200 mm.
- Model Type : Linear Actuator Non Captive Stepper Motor

**TECHNICAL DATA**

**CHARACTERISTICS**

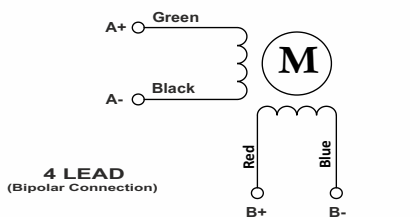
- Step Angle - 1.8°
- Step Angle Accuracy - ± 3 Arc Minute
- Insulation Class - H
- Ambient Temperature - (- 20°C to + 50°C)
- Temperature Rise - 80°C Max. ( Rated Current Phase 2 ON )
- Insulation Resistance  
100 M Ohms Min.500 VDC
- Dielectric Strength  
500 VAC For One Minute
- Shaft Radial Play  
0.02 Max. Play ( 450 G Load )
- Shaft Axial Play  
0.08 Max. Play ( 450 G Load )
- Max.Radial Force  
75 N ( 20MM From Front Flange )

**SPECIFICATION**

**BH 57 SH 76 - 2804 LA-NC (M10 X 2)**

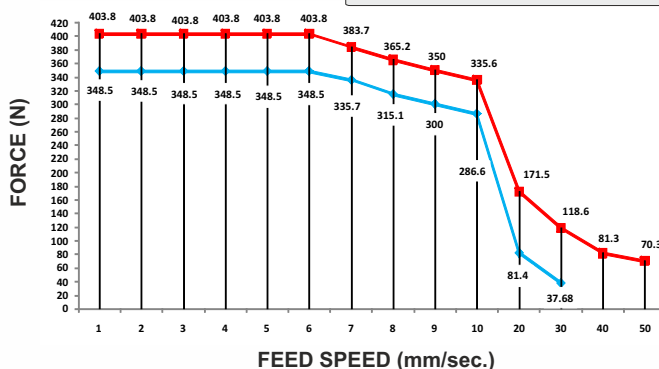
	MODEL		Bipolar
1	Rated Voltage	V	3.36
2	Current / Phase	A	2.8
3	Resistance / Phase ± 10%	Ω	1.2
4	Inductance / Phase ± 20%	mH	4.5
5	Holding Torque	Nm	1.89
6	Weight	KG.	1.250
7	No of Lead	N <sup>o</sup>	4
8	Operating Voltage	VDC	24 - 48
9	Linear Step size - 10 micron per full step		

**Wiring Diagram**



**DRIVE SET**

- BH-48VDC/2.8 AMP/HALF STEP/BH MSD-4.5A
- ◆ BH-24VDC/2.8 AMP/HALF STEP/BH MSD-4.5A



**Bholanath Precision Engineering Pvt.Ltd.**

11,Kembros Ind.Estate , Sonapur Lane , Bhandup (W),Mumbai - 400078.  
Telefax/Phone : 25662856/25664338/67993260 Email : support@bholanath.in  
Mobile No : 9920903825/9821671733/9930514603/9819515543/9323166582.