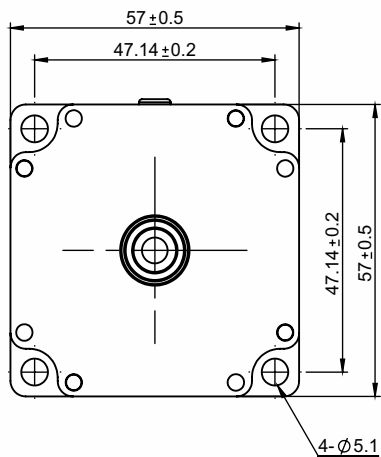


SPECIFICATION SHEET
Bholanath

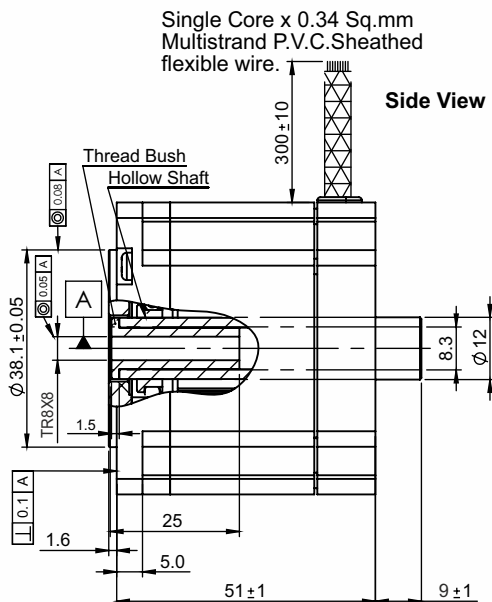
STEPPER MOTOR
BH 57 SH 51 - 2804 LA-NC(TR8 X 8)
HIGH TORQUE HYBRID



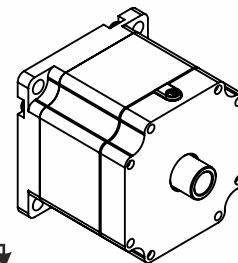
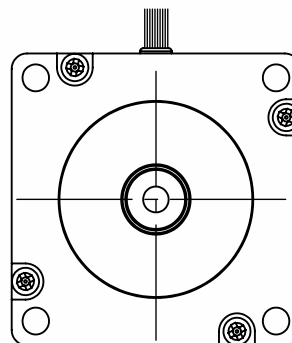
Front View & Mounting



Side View



Rear View



- Screw Length : 200 mm.
- Model Type : Linear Actuator Non Captive Stepper Motor

TECHNICAL DATA

CHARACTERISTICS

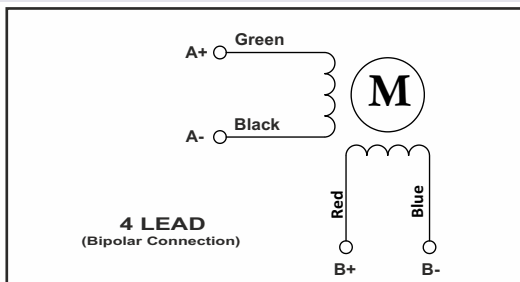
- Step Angle - 1.8°
- Step Angle Accuracy - ± 3 Arc Minute
- Insulation Class - H
- Ambient Temperature - (- 20°C to + 50°C)
- Temperature Rise - 80°C Max. (Rated Current Phase 2 ON)
- Insulation Resistance 100 M Ohms Min.500 VDC
- Dielectric Strength 500 VAC For One Minute
- Shaft Radial Play 0.02 Max. Play (450 G Load)
- Shaft Axial Play 0.08 Max. Play (450 G Load)
- Max.Radial Force 75 N (20MM From Front Flange)

SPECIFICATION

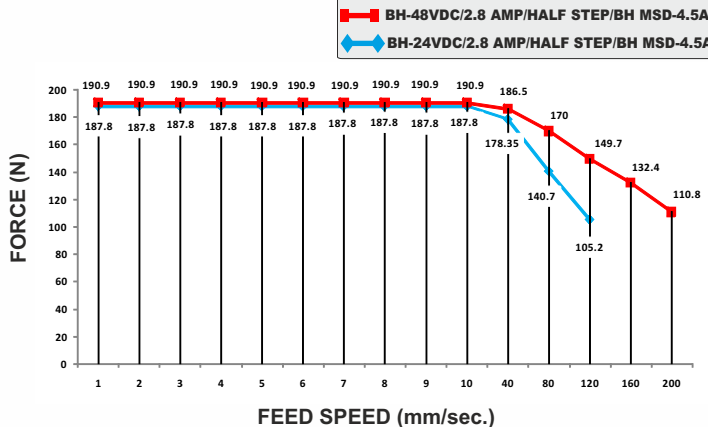
BH 57 SH 51 - 2804 LA-NC(TR8 X 8)

MODEL		Bipolar
1	Rated Voltage	V 2.46
2	Current / Phase	A 2.8
3	Resistance / Phase	± 10% Ω 0.88
4	Inductance / Phase	± 20% mH 2.2
5	Holding Torque	Nm 1.01
6	Weight	KG. 0.850
7	No of Lead	N° 4
8	Operating Voltage	VDC 24 - 48
9	Linear Step size -	40 micron per full step

Wiring Diagram



DRIVE SET



Bholanath Precision Engineering Pvt.Ltd.

11,Kembros Ind.Estate , Sonapur Lane , Bhandup (W),Mumbai - 400078.
Telefax/Phone : 25662856/25664338/67993260 Email : support@bholanath.in
Mobile No : 9920903825/9821671733/9930514603/9819515543/9323166582.