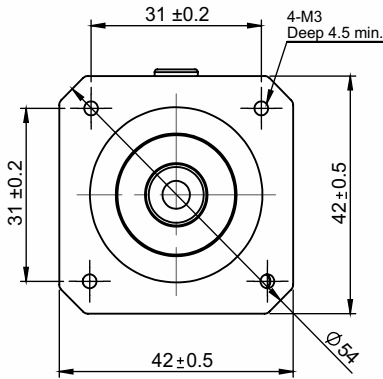


SPECIFICATION SHEET
Bholanath

STEPPER MOTOR
BH 42 SH 47 - 1704 LA-NC (M6X1)
HIGH TORQUE HYBRID

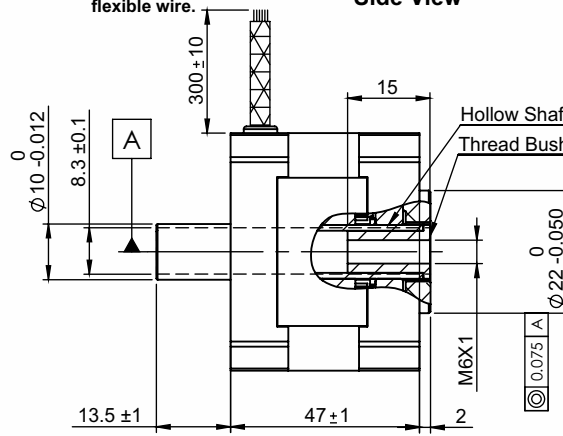


Front View & Mounting

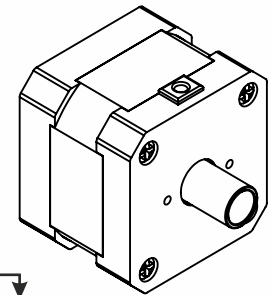
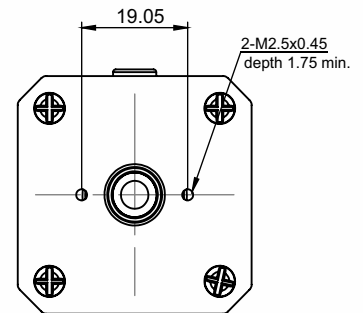


Single Core x 0.21 Sq.mm
Multistrand P.V.C. Sheathed
flexible wire.

Side View



Rear View



- Screw Length : 200 mm.
- Model Type : Linear Actuator Non Captive Stepper Motor

TECHNICAL DATA

CHARACTERISTICS

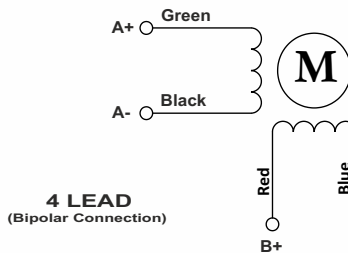
- Step Angle - 1.8°
- Step Angle Accuracy - ± 3 Arc Minute
- Insulation Class - H
- Ambient Temperature - (- 20°C to + 50°C)
- Temperature Rise - 80°C Max. (Rated Current Phase 2 ON)
- Insulation Resistance 100 M Ohms Min. 500 VDC
- Dielectric Strength 500 VAC For One Minute
- Shaft Radial Play 0.02 Max. Play (450 G Load)
- Shaft Axial Play 0.08 Max. Play (450 G Load)
- Max.Radial Force 28 N (20MM From Front Flange)

SPECIFICATION

BH 42 SH 47 - 1704 LA-NC (M6X1)

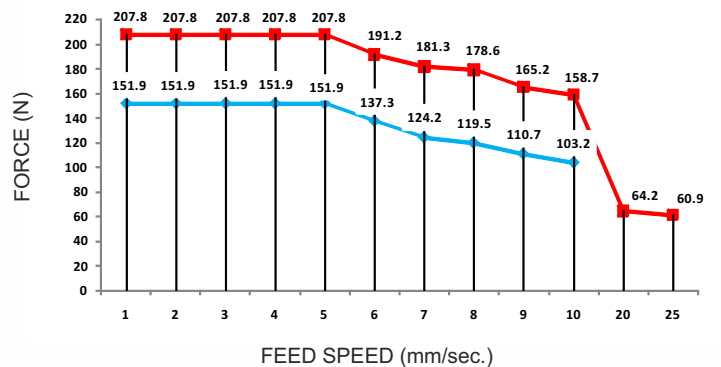
MODEL		Bipolar
1	Rated Voltage	V 2.8
2	Current / Phase	A 1.7
3	Resistance / Phase	± 10% Ω 1.7
4	Inductance / Phase	± 20% mH 2.5
5	Holding Torque	Nm 0.44
6	Weight	KG. 0.475
7	No of Lead	N° 4
8	Operating Voltage	VDC 12 - 24
9	Linear Step size - 5 micron per full step	

Wiring Diagram



DRIVE SET

- BH-24VDC/1.75 AMP/FULL STEP/BH MSD-2A
- BH-12VDC/1.75 AMP/FULL STEP/BH MSD-2A



Bholanath Precision Engineering Pvt.Ltd.

11, Kembros Ind.Estate , Sonapur Lane , Bhandup (W), Mumbai - 400078.

Telefax/Phone : 25662856/25664338/67993260 Email : support@bholanath.in

Mobile No : 9920903825/9821671733/9930514603/9819515543/9323166582.