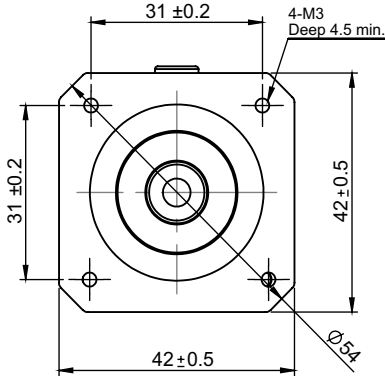


**SPECIFICATION SHEET**  
**Bholanath**

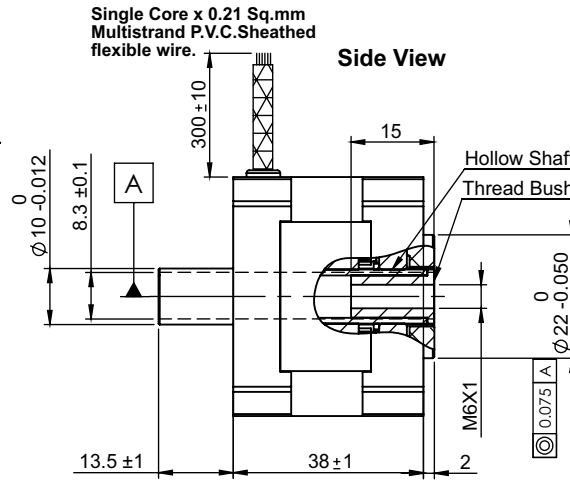
**STEPPER MOTOR**  
**BH 42 SH 38 - 1684 LA-NC (M6 X 1)**  
**HIGH TORQUE HYBRID**



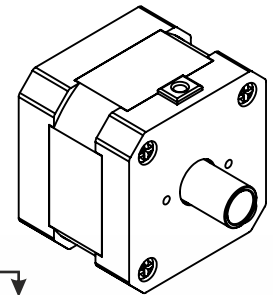
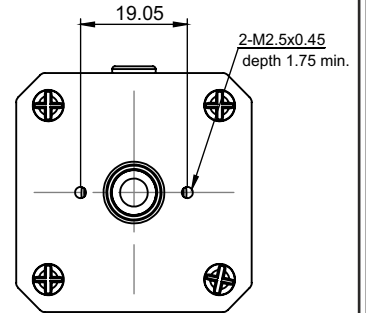
**Front View & Mounting**



**Side View**



**Rear View**



- Screw Length : 200 mm.
- Model Type : Linear Actuator Non Captive Stepper Motor

**TECHNICAL DATA**

**CHARACTERISTICS**

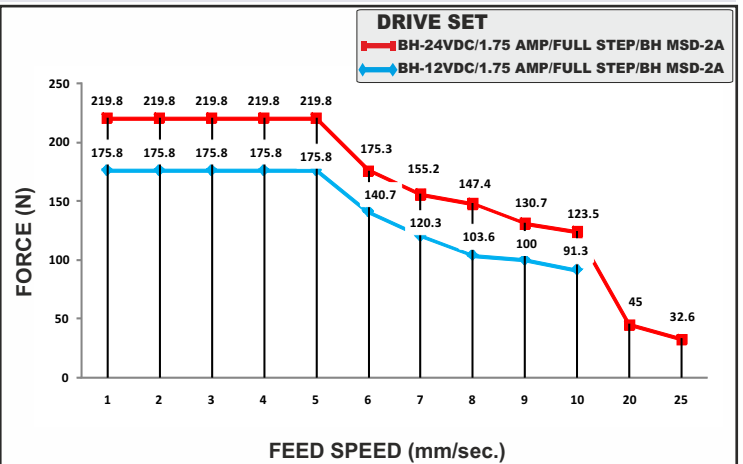
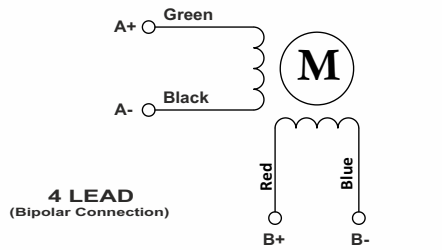
- Step Angle - 1.8°
- Step Angle Accuracy - ± 3 Arc Minute
- Insulation Class - H
- Ambient Temperature - (- 20°C to + 50°C)
- Temperature Rise - 80°C Max. ( Rated Current Phase 2 ON )
- Insulation Resistance 100 M Ohms Min.500 VDC
- Dielectric Strength 500 VAC For One Minute
- Shaft Radial Play 0.02 Max. Play ( 450 G Load )
- Shaft Axial Play 0.08 Max. Play ( 450 G Load )
- Max.Radial Force 28 N ( 20MM From Front Flange )

**SPECIFICATION**

**BH 42 SH 38 - 1684 LA-NC (M6 X 1)**

	MODEL		Bipolar
1	Rated Voltage	V	3.53
2	Current / Phase	A	1.68
3	Resistance / Phase	± 10% Ω	2.1
4	Inductance / Phase	± 20% mH	1.80
5	Holding Torque	Nm	0.36
6	Weight	KG.	0.38
7	No of Lead	N°	4
8	Operating Voltage	VDC	12 - 24
9	Linear Step size - 5 micron per full step		

**Wiring Diagram**



**Bholanath Precision Engineering Pvt.Ltd.**

11,Kembros Ind.Estate , Sonapur Lane , Bhandup (W),Mumbai - 400078.  
Telefax/Phone : 25662856/25664338/67993260 Email : support@bholanath.in  
Mobile No : 9920903825/9821671733/9930514603/9819515543/9323166582.